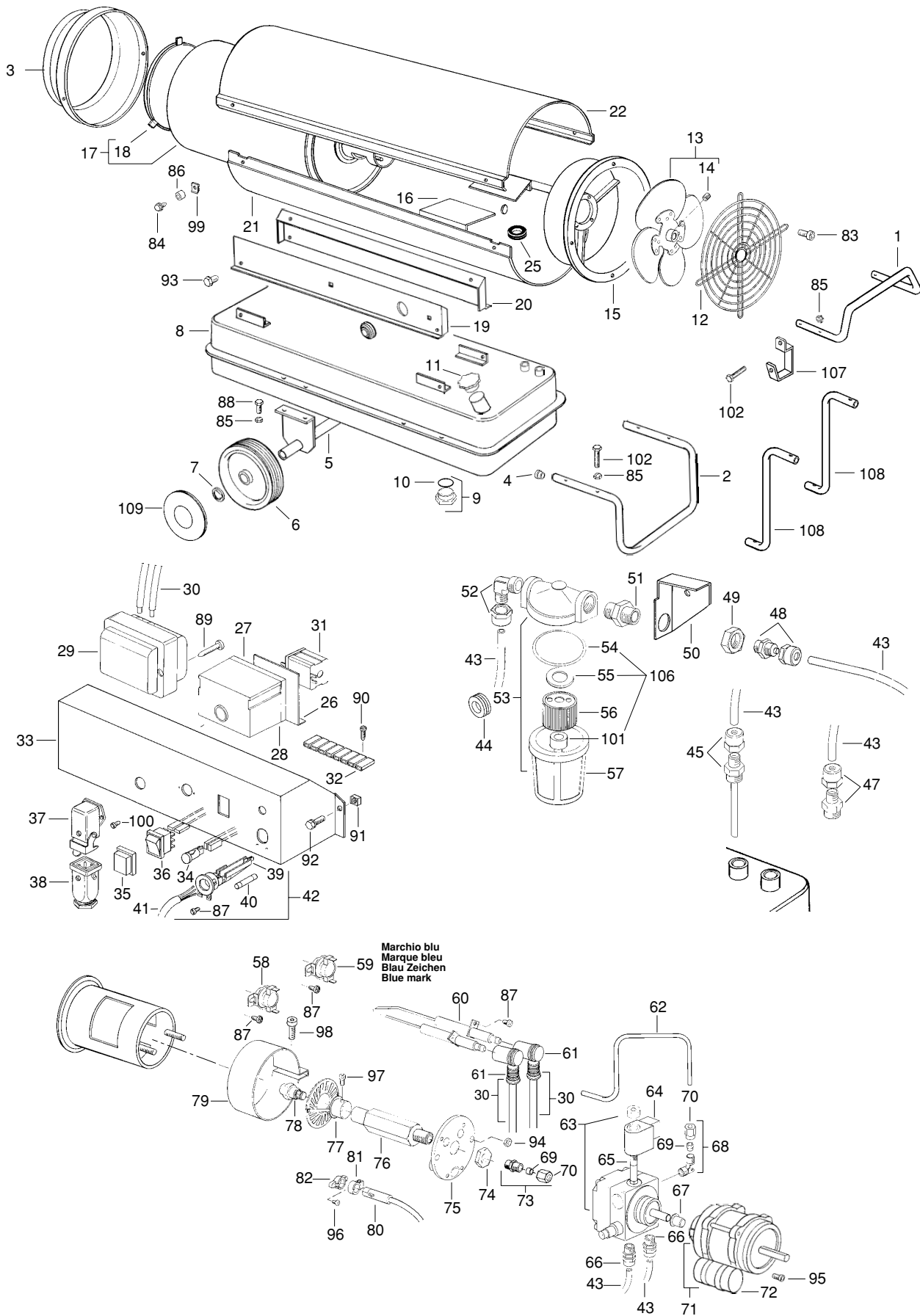


Spareparts MASTER HEATERS

MODELS 220 CEA and 354 CEA

ILLUSTRATED PARTS BREAKDOWN



Marchio blu
Marque bleu
Blau Zeichen
Blue mark

Spareparts MASTER HEATERS

MODELS 220 CEA and 354 CEA

PARTS LIST

Key No.	Description	Part Number		Key No.	Description	Part Number	
		220 CEA	354 CEA			220 CEA	354 CEA
	MAIN BODY				MAIN BODY		
1	FRAME HANDLE			109.1	YELLOW PLUG WHEEL		
2	FRAME BEARING				DIAM. 200mm	S/R	-
3	OUTLET CONE	4031.278	S/R	109.2	YELLOW PLUG WHEEL		
4	PLUG	S/R	S/R		DIAM. 250MM	-	S/R
5	AXLE	S/R	S/R				
6	WHEEL 200 MM	4031.133	-		CONTROL BOARD		
6.1	WHEEL 250 MM	-	4031.134	26	CONTROL BOX SUPPORT	S/R	S/R
7	WHEEL HOLDER 20 mm	4031.175	-	27	CONTROL BOX BASE		
7.1	WHEEL HOLDER 25 mm	-	4031.177		LANDIS & GYR	4031.010	4031.010
8	FUEL TANK	4031.004	-	28	CONTROL BOX LANDIS		
8.1	FUEL TANK	-	4031.006		& GYR	4031.005	4031.005
9	DRAIN PLUG	4031.013	4031.013	29	TRANSFORMER H.T. 220 V	4031.035	4031.035
10	DRAIN PLUG OR	S/R	S/R	30	H.T CABLE	4110.971	4110.971
11	TANK PLUG	4031.145	4031.145	31	RELAY 65.31	4031.040	4031.040
12	REAR INLET GRILL	S/R	-	32	TERMINAL BOARD	S/R	S/R
12.1	REAR INLET GRILL	-	4031.137	33	ELECTR. COMP. DRAWER	S/R	S/R
13	FAN 300MM 27 DGR	4031.271	-	34	PILOT LAMP	4031.169	4031.169
13.1	FAN 500MM 33 DGR	-	4031.272				
14	GRUB SCREW	S/R	S/R	36	SWITCH MAN/AUT.+COVER	4160.637	4160.637
15	MOTOR SUPPORT	4031.138	4031.139	37	SOCKET 4 PIN 90 DGR.	4031.088	4031.088
16	AIR FLAB	S/R	S/R	38	PLUG 4 PIN CONNECTED (2&3)	4031.089	4031.089
17	COMBUSTION CHAMBER	S/R	-	39	CABLE FASTENER	S/R	S/R
17.1	COMBUSTION CHAMBER	-		40	FUSE 6 A (6 X 30)	4031.080	-
18	FLAME GUARD SHIELD	S/R	S/R	40.1	FUSE 10 A (6 X 30)	-	4031.085
19	BASE SX	S/R	4031.363	41	EL. WIRE WITH PLUG	S/R	S/R
20	BASE DX	S/R	4031.364	42	EL. WIRE WITH PLUG &		
21	LOWER BODY	S/R	S/R		CABLE FASTENER	S/R	S/R
22	UPPER BODY	S/R	S/R	89	SCREW TC 8 X 1" 1/2"	S/R	S/R
25	CABLE PROTECTION	S/R	S/R	90	SCREW TC 4 X 1/2"	S/R	S/R
83	SCREW TC M5x16	S/R	S/R	91	NUT CLAMP M6	4031.215	4031.215
84	SCREW TE 10x1/2" FR	S/R	S/R	92	SCREW TE M6 X 16	S/R	S/R
85	NUT M6	S/R	S/R	100	SCREW TC 4X 3/8"	S/R	S/R
86	SLEEVE	S/R	S/R				
88	SCREW TE M6x16	S/R	S/R				
93	SCREW TE 14x1/2" FR	S/R	S/R				
99	ELASTIC PLATE	S/R	S/R				
102	SCREW TE M6x30	S/R	S/R				
107	POWER CORD HOOK	S/R	S/R				
108	SUPPORT BAR B354	S/R	S/R				

S/R = Parts Available by Special Request Only

N/A = Parts Not Available

This list contains replaceable parts used in your heater. When ordering parts, be sure to provide the correct model and serial numbers (from the model plate), then the part number and description of the desired part.

Spareparts MASTER HEATERS

MODELS 220 CEA and 354 CEA

PARTS LIST

Key No.	Description	Part Number		Key No.	Description	Part Number	
		220 CEA	354 CEA			220 CEA	354 CEA
	FILTER CONNECTION				MOTOR & BURNER PARTS		
43	FLEX FUEL PIPE DIAM 6mm	4031.140	4031.140	71	MOTOR 200 W	4031.131	-
44	CABLE PROTECTION	S/R	S/R	71.1	MOTOR 750 W	-	4031.125
45	FUEL PICK UP TUBE	4031.148	4031.148	72	CAPACITOR 6.3 UF	4031.165	-
47	CONNECTION STRAIGHT 1/4"MX6	4031.160	4031.160	72.1	CAPACITOR 16 UF	-	4031.166
48	CONNECTION STRAIGHT 1/8" MX6	S/R	S/R	73	CONNECTION STRAIGHT 1/8" MX6	S/R	S/R
49	NUT 3/8" X 5	4031.800	4031.800	74	NUT M14	S/R	S/R
50	FILTER SUPPORT	4031.011	4031.011	75	BURNER FLANGE	S/R	S/R
51	DOUBLE SCREW	4031.802	4031.802	76	NOZZLE SUPPORT	4031.012	4031.012
52	CONNECTION 90 DGR 3/8" MX6	4031.803		77	DIFFUSOR	4031.066	4031.066
52.1	CONNECTION STRAIGHT 3/8" MX6		4031.804	78	NOZZLE 1.25 GPH 80 DGR	4031.027	-
53	FILTER COMPLETE 3/8"	4031.070	4031.070	78.1	NOZZLE 2.00 GPH 80 DGR	-	4031.031
54	FILTER O RING	4031.150	4031.150	79	AIR REGULATION FLAP	S/R	-
55	TOP SEAL OIL FILTER	4031.075	4031.075	79.1	AIR REGULATION FLAP	-	4031.007
56	FILTER ELEMENT	4031.015	4031.015	80	PHOTO CELL	4031.090	4031.090
57	FILTER HOUSING	4031.180	4031.180	81	PHOTOCELL CLAMP	4031.009	4031.009
101	LOWER OIL FILTER SEAL	4031.191	4031.191	82	PHOTOCELL FLANGE	4031.008	4031.008
				87	SCREW TC 8X3/8"	S/R	S/R
				94	NUT M5	S/R	S/R
				95	SCREW	S/R	S/R
30	MOTOR & BURNER PARTS H.T CABLE	4110.971	4110.971	96	SCREW TC 6X1/2"	S/R	S/R
58	COOL OFF THERMOSTAT (FAN)	4031.045	4031.045	97	SCREW TC M4X8	S/R	S/R
59	OVERHEAT THERMOSTAT	4031.047	4031.047	98	SCREW TCEI M6X25	S/R	S/R
60	ELECTRODE	4031.095	4031.095				
61	CABLE CONNECTION 90 DGR	S/R	S/R				
62	OIL SUPPLY PIPE (DIAM 4 MM)	4031.106	4031.106				
63	DANFOSS PUMP	4031.197	4031.197				
64	SPOOL DANFOSS	4031.019	4031.019				
65	VALVE DANFOSS	4031.195	4031.195				
66	CONNECTION STRAIGH 1/4"MX6	S/R	S/R				
67	COUPLING K1	4031.060	-				
68	CONNECTION 90 DGR 1/8" MX4	4031.096	4031.096				
69	BICONE 4 MM	4031.115	4031.115				
70	NUT FOR BICONE	4031.110	4031.110				

S/R = Parts Available by Special Request Only

N/A = Parts Not Available

This list contains replaceable parts used in your heater. When ordering parts, be sure to provide the correct model and serial numbers (from the model plate), then the part number and description of the desired part.