

Motor and Pump Assembly

Spareparts MASTER HEATERS

MODEL 350 CEA

PARTS LIST

Key No.	Part Number	Description	Qty.	Key No.	Part Number	Description	Qty.
1	4110.089	Upper shell	1	39	4100.632	Drain plug	1
2	4101.132	Screw, #10-16 x 1/2"	25	40	4103.882	Thermostat	1
3	4104.040	Combustion chamber & shield	1	41	4108.510	Srew, #10-16 x 3/4"	2
4	4101.151	Bushing	3	42	4100.527	Lockwasher, #10	29
5	4103.224	Grommet	1	43	4101.112	Bushing	1
6	*	Burner head assembly	1				
7	4103.448	Photocell assembly	1				
8	4103.462	Fan	1				
9	4103.880	Fan guard	1				
10	4100.582	Fan switch	1				
11	4101.246	Fan switch cover	1				
12	S/R	Sleeve	1				
13	4101.133	Screw, #10-16 x 3/8"	13				
14	*	Motor and pump assembly	1				
15	S/R	Power cord	1				
16	4105.238	Fuel line	1				
17	4108.574	Ignition boot	1				
18	4106.090	Electronic ignitor	1				
19	S/R	Lower shell	1				
20	4104.170	Clip nut	14				
21	S/R	Screw, #12-14 x 1/2"	4				
22	4101.152	Bushing	2				
23	4106.584	Wire harness	1				
24	4106.181	Fuel line assembly	1				
25	4108.956	Front handle	1				
26	4103.891	Fuel cap	1				
27	4105.292	Filler neck screen	1				
28	S/R	Screw, 1/4-20 x 2 1/4"	6				
29	4108.569	Screw, 1/4-20 x 1 1/2"	2				
30	4109.885	Rear handle	1				
31	4101.143	Fuel tank	1				
32	S/R	Wheel support frame	1				
33	4108.759	Axle	1				
34	4108.486	Hex lock nut, 1/4-20	8				
35	4103.271	Wheel	2				
36	S/R	Cotter pin, 5/32 x 1 1/4"	2				
37	S/R	Flatwasher, 5/8"	4				
38	4105.240	Wheel spacer	2				
39	4100.632	Drain plug	1				

S/R = Parts Available by Special Request Only

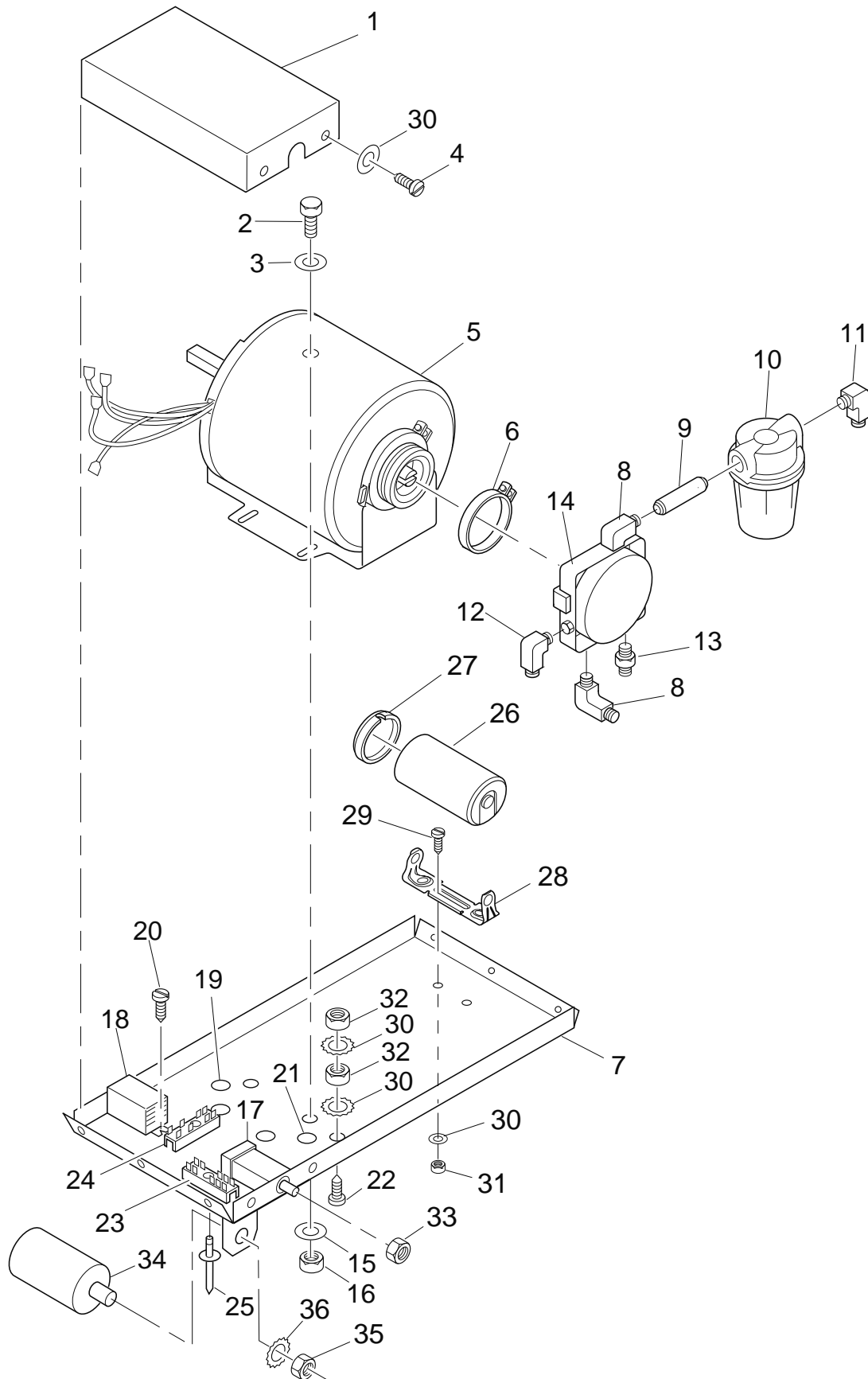
N/A = Parts Not Available

This list contains replaceable parts used in your heater. When ordering parts, be sure to provide the correct model and serial numbers (from the model plate), then the part number and description of the desired part.

Spareparts MASTER HEATERS - MOTOR AND PUMP ASSEMBLY

MODEL 350 CEA

ILLUSTRATED PARTS BREAKDOWN



Spareparts MASTER HEATERS - MOTOR AND PUMP ASSEMBLY

MODEL 350 CEA

PARTS LIST

Key No.	Part Number	Description	Qty.
1	S/R	Wiring cover	1
2	S/R	Screw, 5/16-24 x 5/16"	4
3	S/R	Lockwasher, 5/16"	4
4	4110.133	Screw, #10-16 x 3/8"	3
5	4104.678	Motor	1
6	S/R	Flange clamp (holds pump to motor)	1
7	S/R	Motor support	1
8	4106.335	Street elbow	2
9	4105.840	Pipe nipple	1
10	4105.829	Fuel filter assembly	1
	4105.088	Filter element (inside fuel filter assembly, includes rubber gaskets)	1
11	4105.239	90° Male elbow	1
12	4106.333	Compression elbow	1
13	4105.842	Straight fitting	1
14	4103.610	Fuel pump	1
15	S/R	Lockwasher, 5/16"	4
16	S/R	Hex nut, 5/16-24"	4
17	4104.196	Flame-out control	1
18	N/A	Power relay	1
19	4101.152	Shorty bushing	3
20	4103.511	Screw, #6-32 x 1/4"	2
21	4150.528	Strain relief bushing	1
22	4109.580	Screw, #10-32 x 1/2"	1
23	S/R	Terminal board	1
24	S/R	Terminal board	1
25	N/A	Rivet	2
26	4101.242	Capacitor	1
27	4101.243	Capacitor cap	1
28	S/R	Capacitor bracket	1
29	4105.235	Screw, #10-32 x 1/2"	2
30	4100.527	Lockwasher, #10	7
31	4100.673	Nut, #10-32	2
32	4100.673	Nut, #10-32	2
33	4109.592	Hex nut	1
34	4105.288	Power Line Filter	1
35	N/A	Nut, 8 mm	1
36	S/R	Lockwasher, 5/16"	1

S/R = Parts Available by Special Request Only

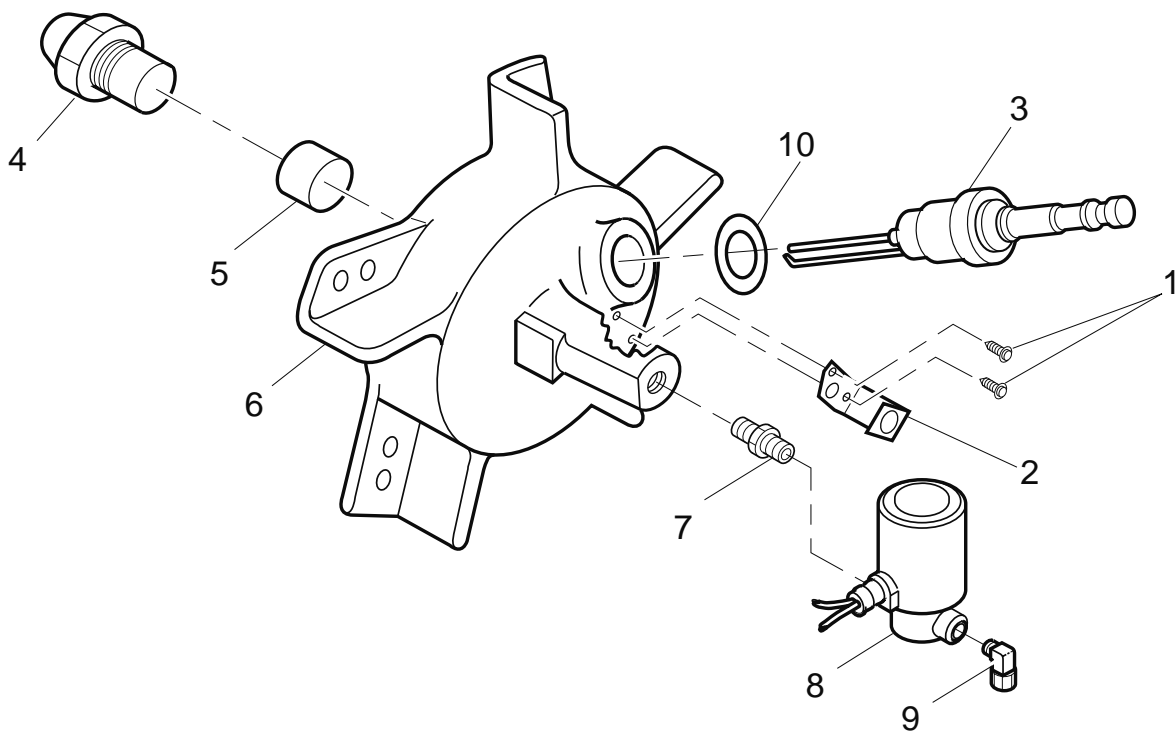
N/A = Parts Not Available

This list contains replaceable parts used in your heater. When ordering parts, be sure to provide the correct model and serial numbers (from the model plate), then the part number and description of the desired part.

Spareparts MASTER HEATERS - BURNER HEAD ASSEMBLY

MODEL 350 CEA

ILLUSTRATED PARTS BREAKDOWN



MODEL 350 CEA

PARTS LIST

Key No.	Part Number	Description	Qty.
1	4103.529	Screw, #6-32 x 3/8"	2
2	4101.214	Photocell bracket	1
3	4101.846	Spark plug	1
4	4104.162	Nozzle	1
5	S/R	Plug	1
6	4109.350	Burner head body	1
7	4106.334	Straight nipple	1
8	4102.535	Solenoid valve	1
9	4106.333	Compression elbow	1
10	4105.841	Spark plug gasket	1