

Motor and Pump Assembly

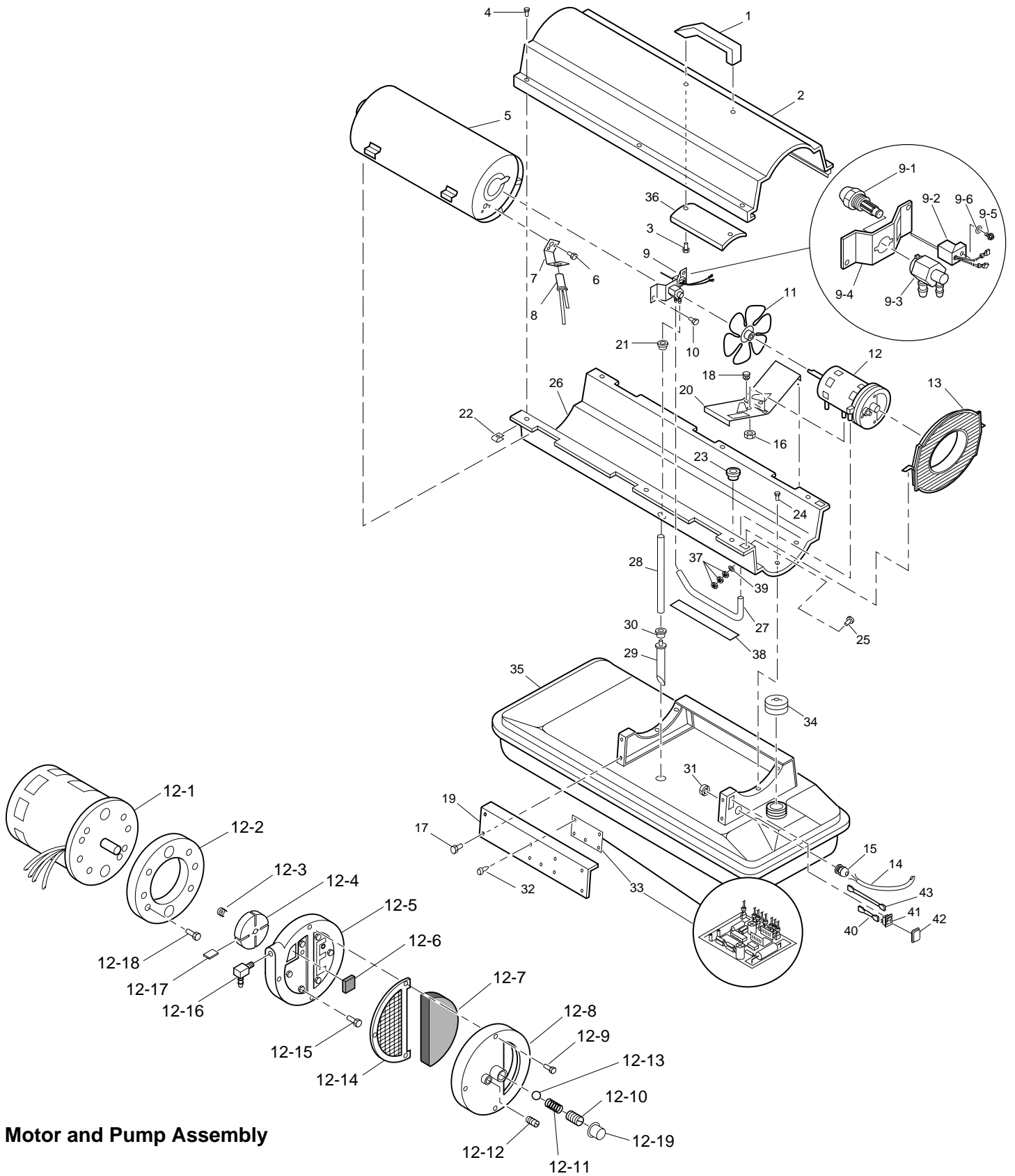
MASTER DIRECT OIL HEATERS

MODEL 35 CEL 10 kW

PARTS LIST

Key No.	Part Number	Description	Qty.	Key No.	Part Number	Description	Qty.
1	4160.715	Handle	1	16	4108.486	Hex Lock Nut, 1/4-20	2
2	4110.121	Upper Shell	1	17	4110.124	Screw/Lockwasher, 1/2"	4
3	4160.602	Screw	2	18	4150.553	Rubber Bumper	2
4	4109.590	Screw/Lockwasher	6	19	4100.635	Side Cover	1
5	4110.115	Combustion Chamber	1	20	4110.187	Motor Bracket	1
6	4103.529	Screw, #6-32 x 3/8"	2	21	4101.151	Bushing	1
7	4100.657	Photocell Bracket	1	22	4104.170	Clip Nut	6
8	4103.590	Photocell Assembly	1	23	4101.152	Bushing	1
9	**	Burner Strap Assembly	1	24	4110.124	Screw/Lockwasher, 1/2"	6
9-1	4100.648	Nozzle Assembly	1	25	4110.133	Screw	1
9-2	4110.132	Ignitor	1	26	4110.122	Lower Shell	1
9-3	4100.664	Nozzle Adapter	1	27	4104.147	Rubber Airline	1
9-4	4100.653	Nozzle Adapter Bracket	1	28	4109.567	Fuel Line	1
9-5	4100.669	Screw, #6-32 x 7/8"	1	29	4110.135	Fuel Filter	1
9-6	4100.660	Belleville Washer	1	30	4100.541	Rubber Bushing	1
10	4110.124	Screw/Lockwasherr	2	31	4100.656	Nylon Locknut	1
11	4100.662	Fan	1	32	4100.654	PCB Support	5
12	**	Motor and Pump Assembly	1	33	4110.142	PC Board	1
12-1	4110.042	Motor	1	34	4103.891	Fuel Cap (Includes Gasket)	1
12-2	4101.532	Pump Body	1	35	4110.136	Fuel Tank	1
12-3	4108.635	Insert	1	36	4100.671	Shell Heat-Shield	1
12-4	4103.441	Rotor	1	37	4110.134	Nut	3
12-5	4109.724	Pump End Cover	1	38	4110.075	Vinyl Foam Gasket	1
12-6	4109.716	Lint Filter	1	39	4160.613	Lockwasher	1
12-7	4109.690	Intake Filter	1	40	4110.036	Wire Assembly (Brown)	1
12-8	4109.674	End Cover	1	41	4100.667	ON/OFF Switch	1
12-9	4108.528	Screw, #10-32 x 1"	3	42	4104.336	Switch Cover	1
12-10	4102.133	Adjusting Screw	1	43	4110.037	Wire Assembly (White)	1
12-11	4102.141	Pressure Relief Spring	1	PARTS AVAILABLE - NOT SHOWN			
12-12	4102.125	Plug	1				
12-13	4108.379	Steel Ball, 1/4" Diameter	1		4105.292	Filler Neck Screen	1
12-14	4109.708	Output Filter	1		4161.829	PC Board Fuse	1
12-15	4108.536	Screw #10-32 x 1 1/8"	6				
12-16	4100.661	Nylon Elbow, 90	1				
12-17	4101.666	Blade	4				
12-18	4108.590	Screw, #10-32 x 3/4"	2				
12-19	4100.666	Plastic Cap	1				
13	4103.685	Fan Guard	1				
14	4110.038	Power Cord	1				
15	4150.528	Strain Relief Bushing	1				

** Parts not available as an assembly, order parts separately.



Motor and Pump Assembly

MASTER DIRECT OIL HEATERS

MODEL 65 CEL 20 kW

PARTS LIST

Key No.	Part Number	Description	Qty.	Key No.	Part Number	Description	Qty.
1	4110.130	Handle	1	16	4108.486	Hex Lock Nut, 1/4-20	2
2	4110.121	Upper Shell	1	17	4110.124	Screw/Lockwasher, 1/2"	4
3	4160.602	Screw	2	18	4150.553	Rubber Bumper	2
4	4109.590	Screw/Lockwasher	6	19	4100.635	Side Cover	1
5	4104.090	Combustion Chamber	1	20	4110.187	Motor Bracket	1
6	4103.529	Screw, #6-32 x 3/8"	2	21	4101.151	Bushing	1
7	4100.658	Photocell Bracket	1	22	4104.170	Clip Nut	6
8	4103.590	Photocell Assembly	1	23	4101.152	Bushing	1
9	**	Burner Strap Assembly	1	24	4110.124	Screw/Lockwasher, 1/2"	6
9-1	4100.647	Nozzle Assembly	1	25	4110.133	Screw	1
9-2	4110.132	Ignitor	1	26	4110.122	Lower Shell	1
9-3	4100.664	Nozzle Adapter	1	27	4104.147	Rubber Airline	1
9-4	4100.653	Nozzle Adapter Bracket	1	28	4109.567	Fuel Line	1
9-5	4100.669	Screw, #6-32 x 7/8"	1	29	4103.875	Fuel Filter	1
9-6	4100.660	Belleville Washer	1	30	4100.541	Rubber Bushing	1
10	4110.124	Screw/Lockwasherr	2	31	4100.656	Nylon Locknut	1
11	4100.662	Fan	1	32	4100.654	PCB Support	5
12	**	Motor and Pump Assembly	1	33	4110.142	PC Board	1
12-1	4110.079	Motor	1	34	4103.891	Fuel Cap (Includes Gasket)	
12-2	4101.317	Pump Body	1	35	4110.140	Fuel Tank	1
12-3	4108.635	Insert	1	36	4100.671	Shell Heat-Shield	1
12-4	4108.627	Rotor	1	37	4110.134	Nut	3
12-5	4109.724	Pump End Cover	1	38	4110.075	Vinyl Foam Gasket	1
12-6	4109.716	Lint Filter	1	39	4160.613	Lockwasher	1
12-7	4109.690	Intake Filter	1	40	4110.036	Wire Assembly (Brown)	1
12-8	4109.674	End Cover	1	41	4100.667	ON/OFF Switch	1
12-9	4108.528	Screw, #10-32 x 1"	3	42	4104.336	Switch Cover	1
12-10	4102.133	Adjusting Screw	1	43	4110.037	Wire Assembly (White)	1
12-11	4102.141	Pressure Relief Spring	1	PARTS AVAILABLE - NOT SHOWN			
12-12	4102.125	Plug	1				
12-13	4108.379	Steel Ball, 1/4" Diameter	1		4105.292	Filler Neck Screen	1
12-14	4109.708	Output Filter	1		4161.829	PC Board Fuse	1
12-15	4108.528	Screw #10-32 x 1"	6				
12-16	4100.661	Nylon Elbow, 90	1				
12-17	4101.200	Blade	4				
12-18	4108.588	Screw, #10-32 x 5/8"	2				
12-19	4100.666	Plastic Cap	1				
13	4103.685	Fan Guard	1				
14	4110.038	Power Cord	1				
15	4150.528	Strain Relief Bushing	1				

** Parts not available as an assembly, order parts separately.