

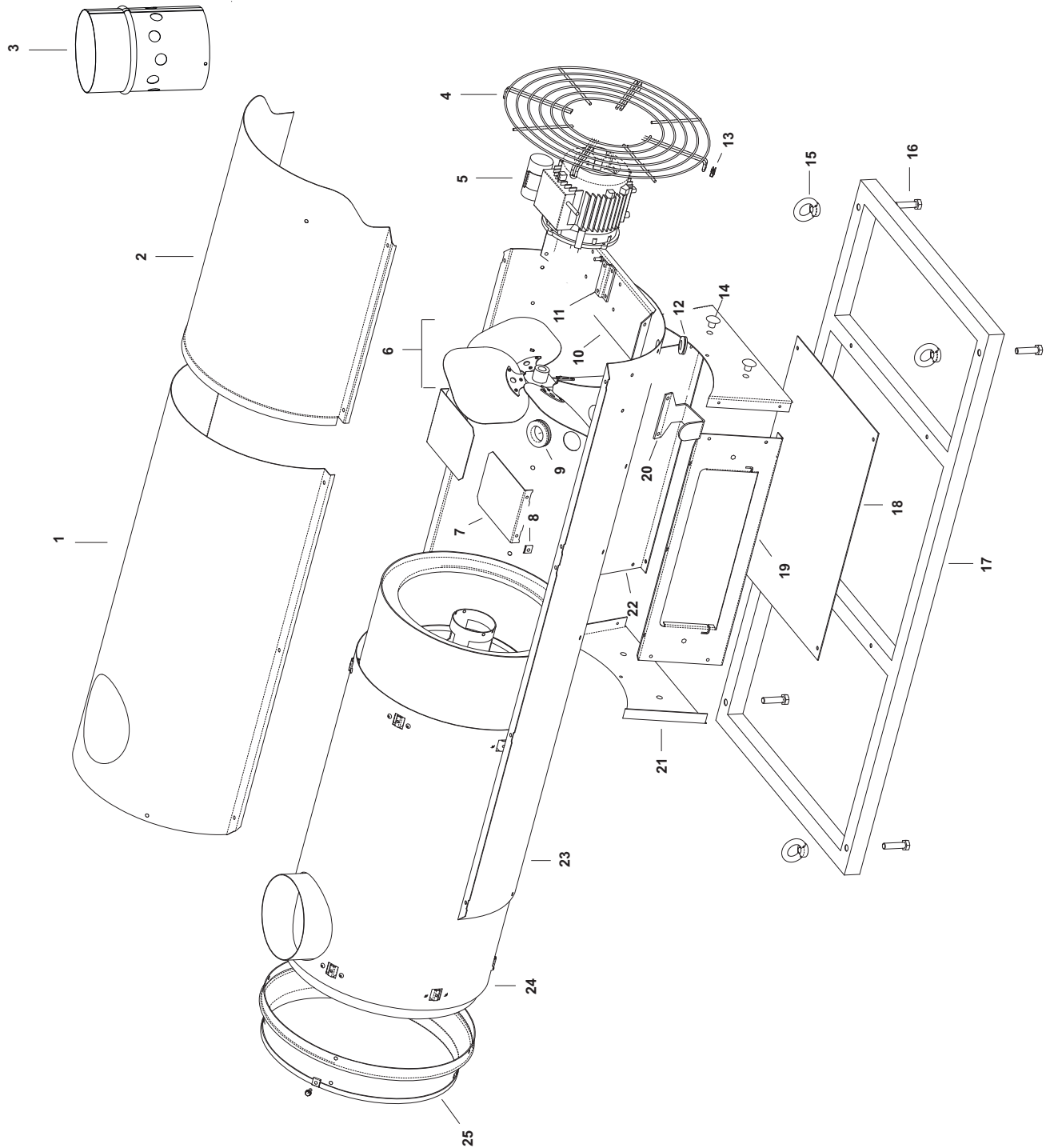
MODEL BVS 170 E

UNIT 1

ILLUSTRATED PARTS BREAKDOWN

From Serial Number: 30200001

Edizione 2010
Rev. A



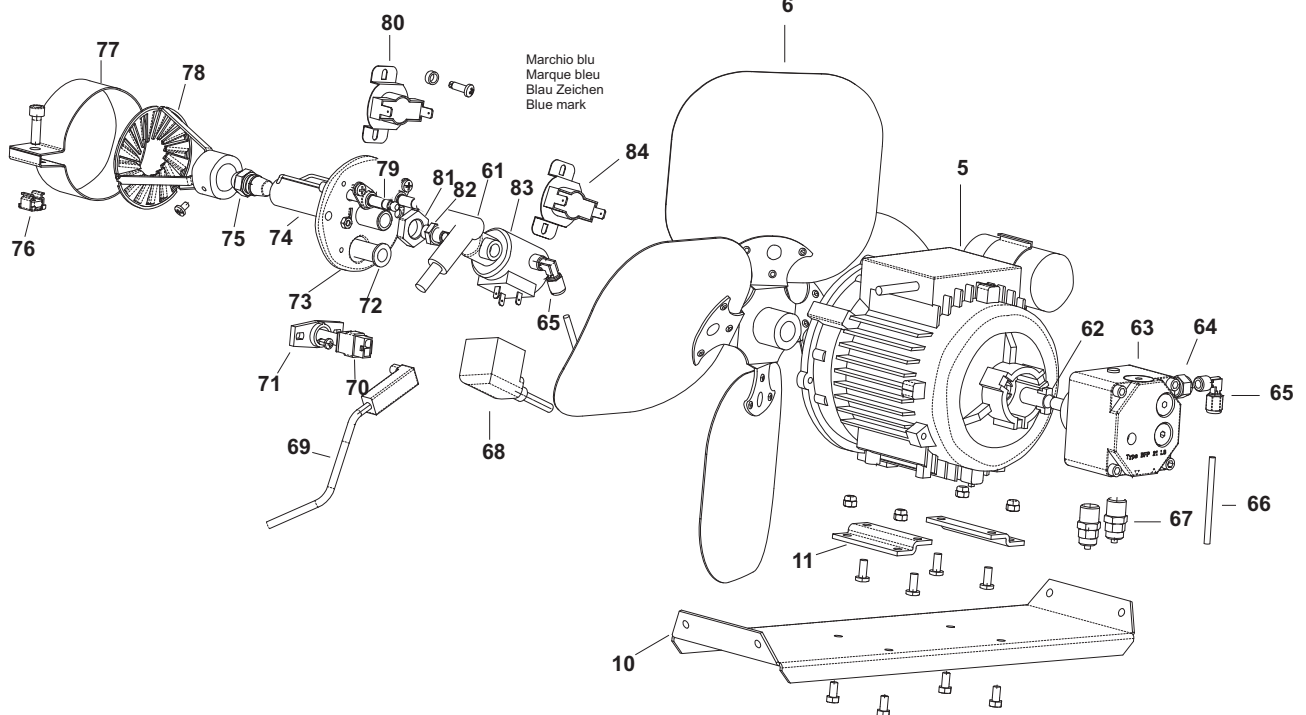
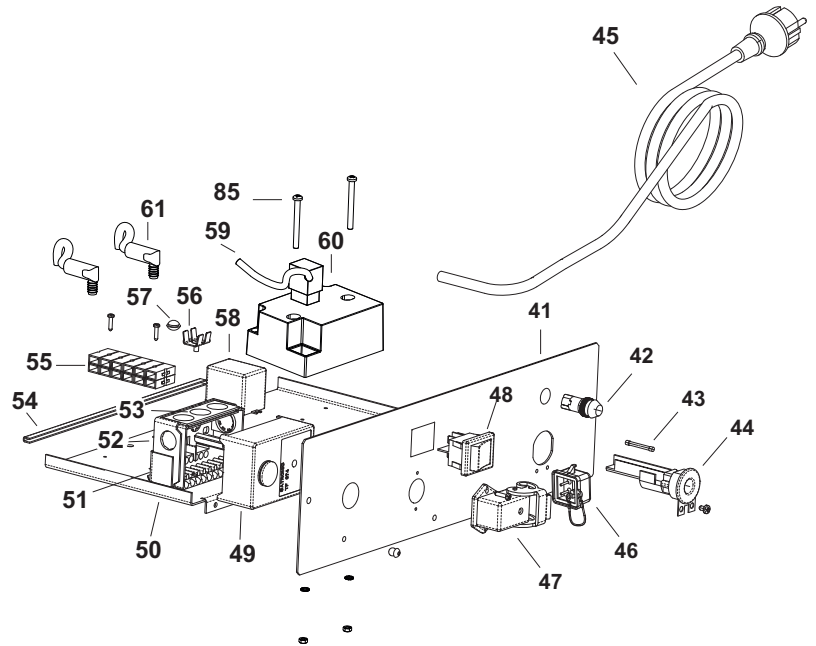
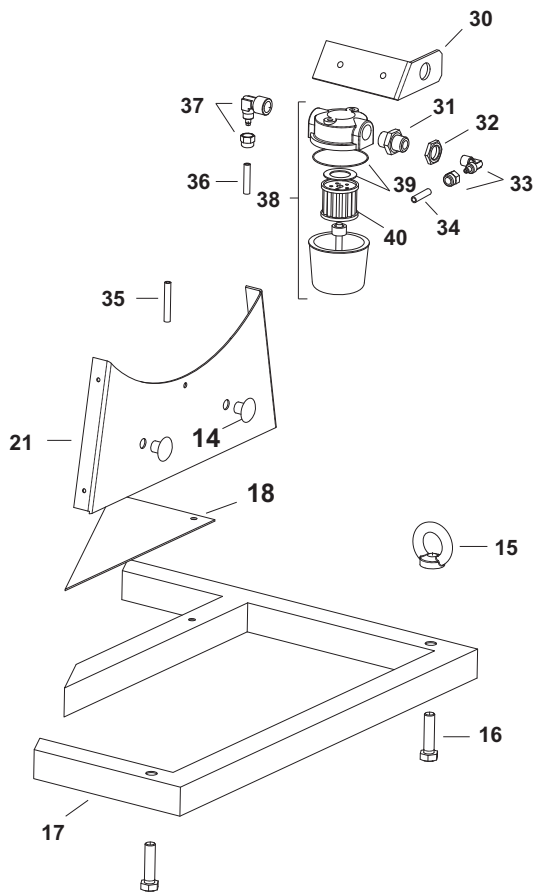
MODEL BVS 170 E

UNIT 2

ILLUSTRATED PARTS BREAKDOWN

From Serial Number: 30200001

Edizione 2010
Rev. A



MODEL BVS 170

Pos.	Code NR	Description
1	4032.546	UPPER BODY
2	4032.548	UPPER BODY MOBILE
3	4032.534	CHIMNEY
4	4032.557	INLET GRILLE
5	4032.594	MOTOR 2P 230V/50 IP44
6	4032.593	FAN
7	4032.554	AIR FLAP
8	4104.170	CLIP NUT
9	4111.056	PROTECTION CLABLE
10	4032.555	MOTOR FLANGE SUPPORT
11	4032.519	MOTOR FLANGE
12	4160.646	PROTECTION CLABLE
13	4111.241	ELASTIC PLATE
14	4032.509	RUBBER PIN
15	4032.491	LUG M10
16	4032.492	SCREW
17	4032.610	SUSPENDING FRAME
18	4032.611	LOWER PANEL
19	4032.558	ELECTR. COMPONENTS DRAWER PANEL
20	4032.536	POWER CORD HOOK
21	4032.562	BASE
22	4032.560	SIDE PANEL
23	4032.550	LOWER BODY
24	4032.541	COMBUSTION CHAMBER
25	4032.544	OUTLET CONE
30	4032.437	FILTER SUPPORT
31	4031.802	DOUBLE SCREW
32	4031.800	NUT 3/8"
33	4111.273	ELBOW 1/8"
34	4032.596	FUEL PIPE FILTER-PUMP
35	4032.618	FUEL PIPE PUMP-TANK
36	4032.617	FUEL PIPE TANK-FILTER
37	4031.803	ELBOW 3/8"
38	4031.070	FILTER WITH CARTIDGE 3/8"
39	4111.116	OR KIT FILTER
40	4031.015	FILTER CARTRIDGE
41	4032.446	ELECTRIC. COMPONENTS DRAWER
42	4117.058	PILOT LAMP
43	4111.040	FUSE (6,3x32) 10 A
44	4111.038	CABLE FASTENER
45	4111.153	POWER CORD
46	4162.467	CAP FOR THERMOSTAT SOCKET
47	4111.119	THERMOSTAT SOCKET
48	4160.637	SWITCH 16A
49	4110.968	CONTROL BOX SATRONIC
50	4032.448	ELECTR. COMPONENTS BASE
51	4032.499	CONTROL BOX SUPPORT

MODEL BVS 170

Pos.	Code NR	Description
52	4110.969	CONTROL BOX BASE
53	4110.967	PG PLATE
54	4110.155	EDGE LINER
55	4111.033	TERMINAL BOARD
56	4160.639	POP RIVET WITH TERMIN. 4 WAY
57	4032.450	PLASTIC PIN
58	4111.032	RELAY FINDER
59	4110.491	TRANSFORMER POWER CORD
60	4031.541	TRANSFORMER
61	4110.490	H.T. CABLE
62	4111.081	COUPLING SIMEL
63	4032.093	PUMP DANFOSS
64	4161.501	CONN. STRAIGHT 1/8"
65	4161.140	ELBOW 1/8"
66	4111.049	OIL SUPPLY PIPE
67	4031.160	CONN. STRAIGHT 1/4"
68	4032.110	POWER CORD SOLENOID SPOOL
69	4110.970	PHOTOCELL CONN.CABLE
70	4110.966	PHOTOCELL
71	4111.076	PHOTOCELL BLOCK BRACKET
72	4032.406	PHOTOCELL SUPPORT
73	4032.574	BURNER FLANGE
74	4032.403	NOZZLE SUPPORT
75	4031.025	NOZZLE 1,00 GPH 80° S
76	4032.454	M6 NUT
77	4032.545	AIR REGULATION FLAP
78	4032.570	TURBO DISC
79	4031.095	ELECTRODE
80	4031.045	FAN THERMOSTAT
81	4032.407	NUT M14
82	4160.968	CONN. STRAIGHT 1/8"
83	4102.535	SOLENOID SPOOL 120V/50Hz
84	4031.047	LIMIT THERMOSTAT
85	4160.421	M4 SCREW