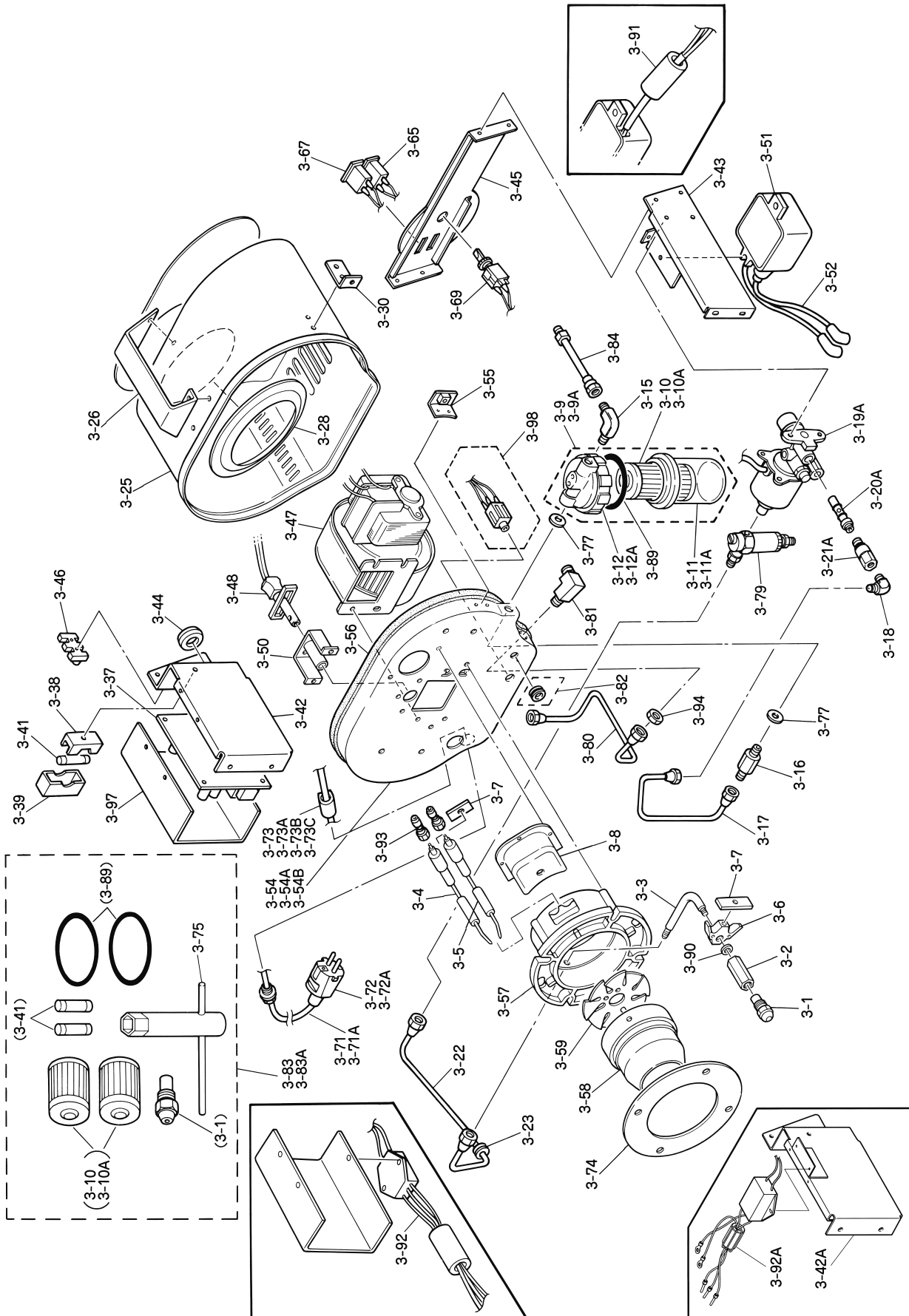


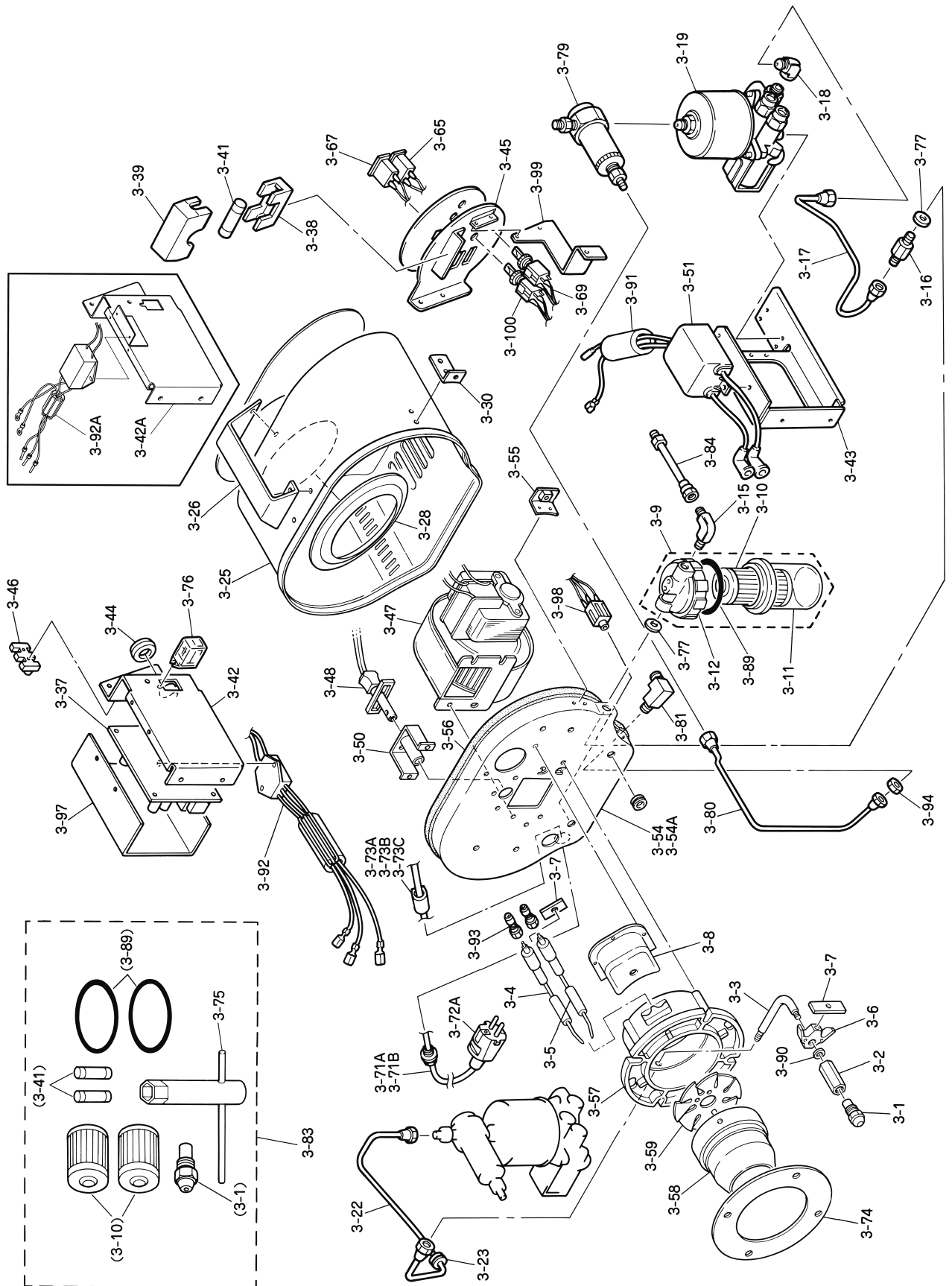
Spareparts VAL 6 before 2001 (PACKING NO. 1: MAIN UNIT)

Fabr. NR	Description	Code NR
1	MAIN UNIT=PACKING 1	4116.216
1-1	RADIATION DISK	4115.473
1-2	CONICAL INSULATOR	4115.481
1-3	DRUM	4115.499
1-4	CONICAL HOUSING	4115.507
1-5	BURNER FITTING PIECE	4115.515
1-6	VISOR	4116.224
1-7	GUARD RAIL	4116.232
1-9	CLAMP BOLT (RH)	4115.549
1-10	CLAMP BOLT (LH)	4115.556
1-11	CLAMP LEVER * Screw for guard rail	4115.564 4116.231

VAL 6 before 2001 (PACKING NO. 2: FUEL TANK)

Fabr. NR	Description	Code NR
2	FUEL TANK=PACKING 2	4116.158
2-1	FUEL TANK	4115.382
2-2	SWIVEL BASE	4116.167
2-3	SWIVEL BOLT	4116.174
2-4	TANK LEG	4116.182
2-5	GRIP	4116.190
2-7	WHEEL	4115.390
2-8A	DRAIN CAP	4115.407
2-10	FUEL GAUGE KB	4115.424
2-11	TANK INLET FILTER	4115.432
2-12	FILTER CAP	4115.440
2-13	SUCTION PIPE SINGLE	4115.457
2-13A	SUCTION PIPE DOUBLE	4115.458
2-14	FUEL INTAKE LINE FLEX.	4115.465
2-16	DRAIN BOLT TILL 90/91	4115.408
2-16A	DRAIN BOLT FROM 91/92	4115.409





Spareparts VAL 6 before 2001 (PACKING NO. 3: BURNER)

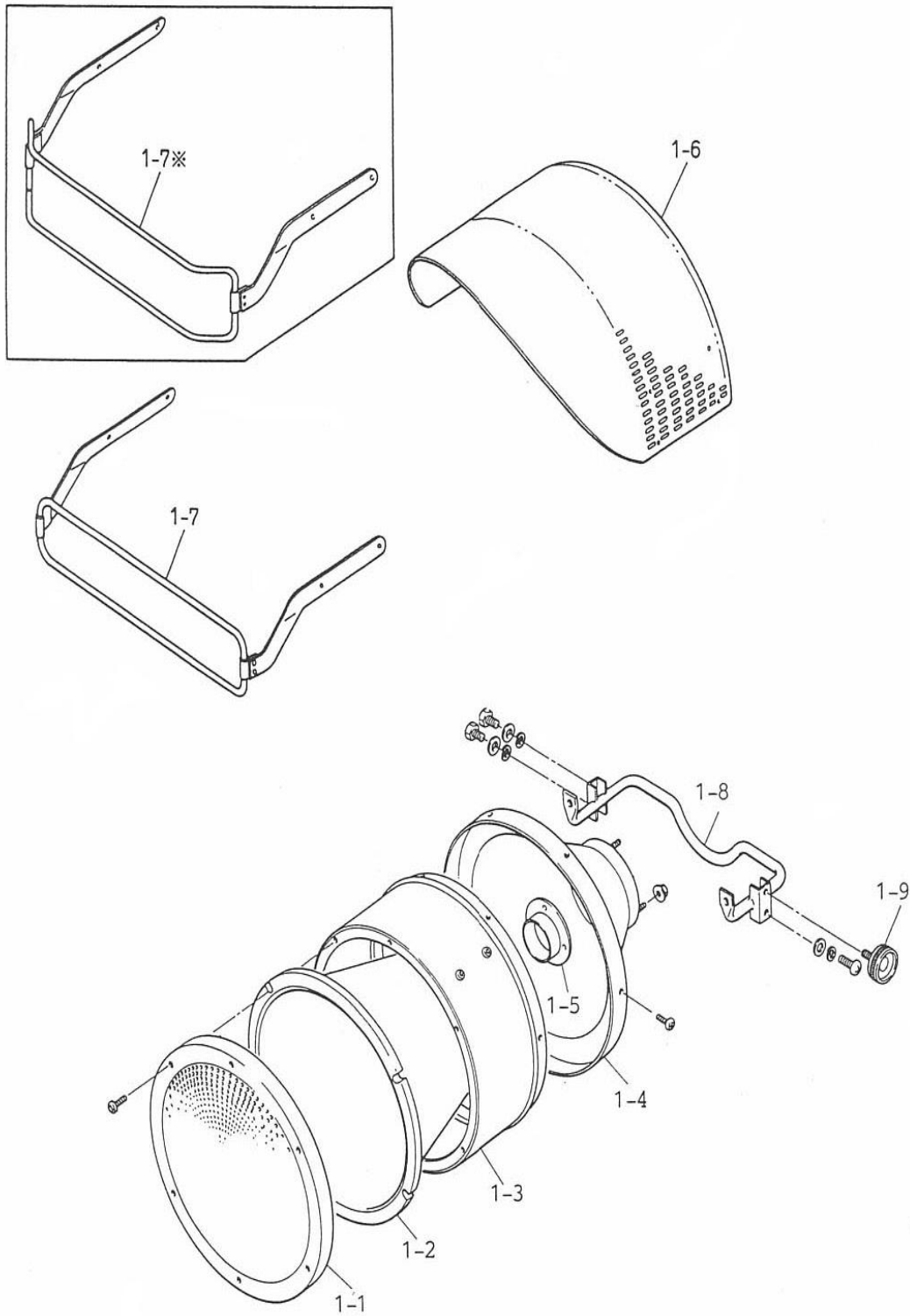
Fabr. NR	Description	Code NR
3	BURNER=PACKING 3	4116.273
3-1	NOZZLE 1 -STEP	4115.614
3-1	NOZZLE 2-STEP	4115.615
3-2	NOZZLE HOLDER	4115.623
3-3	NOZZLE PIPE	4115.624
3-4	ELECTRODE (L)	4115.200
3-5	ELECTRODE (R)	4115.218
3-6	ELECTRODE STAY	4115.648
3-7	ELECTRODE FITTING	4116.609
3-8	ELECTRODE COVER	4115.663
3-9	FILTER COMPLETE	4115.226
3-10	FILTER ELEMENT	4115.234
3-11	FILTER BOWL	4115.671
3-15	ELBOW NIPPLE	4115.242
3-16	FILTER NIPPLE	4115.259
3-17	FUEL INTAKE LINE	4115.697
3-17	FUEL INTAKE LINE 2-STEP	4116.613
3-18	PUMP ELBOW 1 -STEP	4115.267
3-18A	PUMP ELBOW 2-STEP	4115.268
3-19	FUEL PUMP 1-STEP	4115.275
3-19	FUEL PUMP 2-STEP	4116.610
3-20	REVERSE CHECK VALVE 92<	4115.283
3-20A	REVERSE CHECK VALVE 92>	4115.285
3-21	PUMP NIPPLE 92<	4115.291
3-21A	PUMP NIPPLE 92>	4115.292
3-22	FUEL INTAKE LINE	4115.309
3-25	HOUSING	4115.739
3-26	HOUSING GRIP	4115.747
3-29	SEAL	4115.770
3-30	HOUSING FITTING PIECE A	4115.788
3-37	BURNER CONTROL	4115.317
3-38	FUSE HOLDER	4115.853
3-41	FUSE	4115.887
3-44	CHASSIS GROMMET	4115.928
3-45	FACE PLATE	4115.929
3-47	FAN MOTOR 1-STEP	4115.325
3-47	FAN MOTOR 2-STEP	4116.612
3-48	FLAME MONITOR	4115.333
3-50	FLAME MONITOR BRACKET	4115.952
3-51	TRANSFORMER	4115.960
3-51	TRANSFORMER 2-STEP	4116.615
3-52	HIGH TENSION CORD	4115.341

Spareparts VAL 6 before 2001 (PACKING NO. 3: BURNER)

Fabr. NR	Description	Code NR
3-53	HIGH TENSION CORD CAP	4115.358
3-55	HOUSING FITTING PIECE B	4115.789
3-56	HOUSING SEAL	4115.994
3-57	BURNER BOSS	4116.000
3-58	BURNER CONE	4116.018
3-59	WHIRL VANE	4116.026
3-65	MISFIRE LAMP	4116.067
3-67	OPERATION LAMP	4116.281
3-69	SWITCH	4115.345
3-70	SWITCH LEAD	4116.091
3-74	BURNER PACKING	4115.374
3-76	RELAY 2-ST	4116.620
3-79	AIR VENT VALVE	4116.166
3-80	RETURN LINE 1 STEP	4116.161
3-80	RETURN LINE 2-STEP	4116.616
3-81	RETURN LINE NIPPLE	4116.172
3-84	PHD NIPPLE	4115.271
3-88	DIODE	4116.356
3-89	O-RING	4116.141
3-92	NOISE FILTER RFI <97	4116.203
3-92	NOISE FILTER WITH FUSE	4116.204
3-93	ELECTRODE NIPPLE	4116.380
3-94	NIPPLE FITTING NUT REPAIR BURNER CONTROL	4116.205 4115.321
3-98	JACK	4115.305
3-100	SWITCH HIGH LOW	4115.366

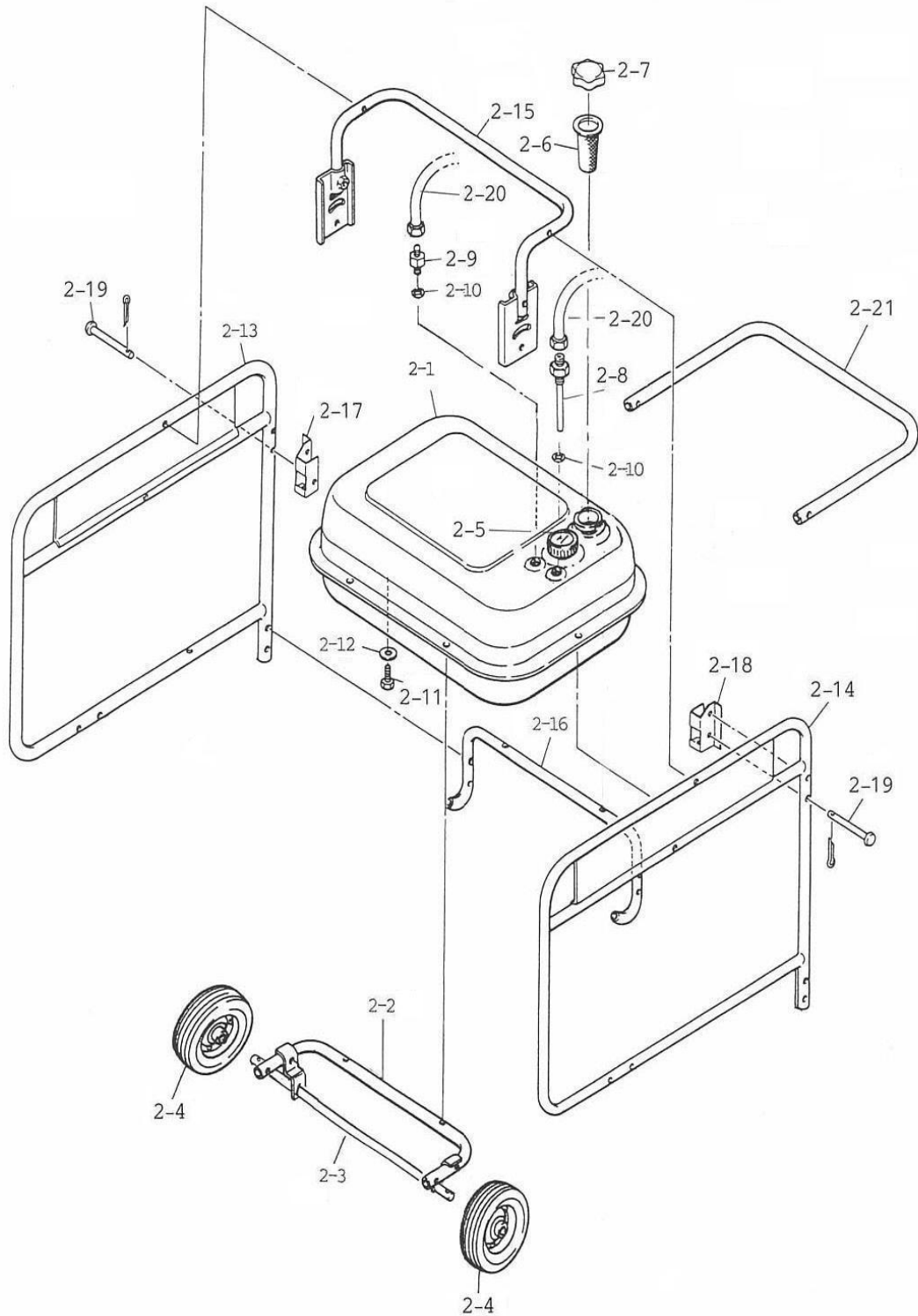
MODEL VAL 6 KB – MAIN UNIT

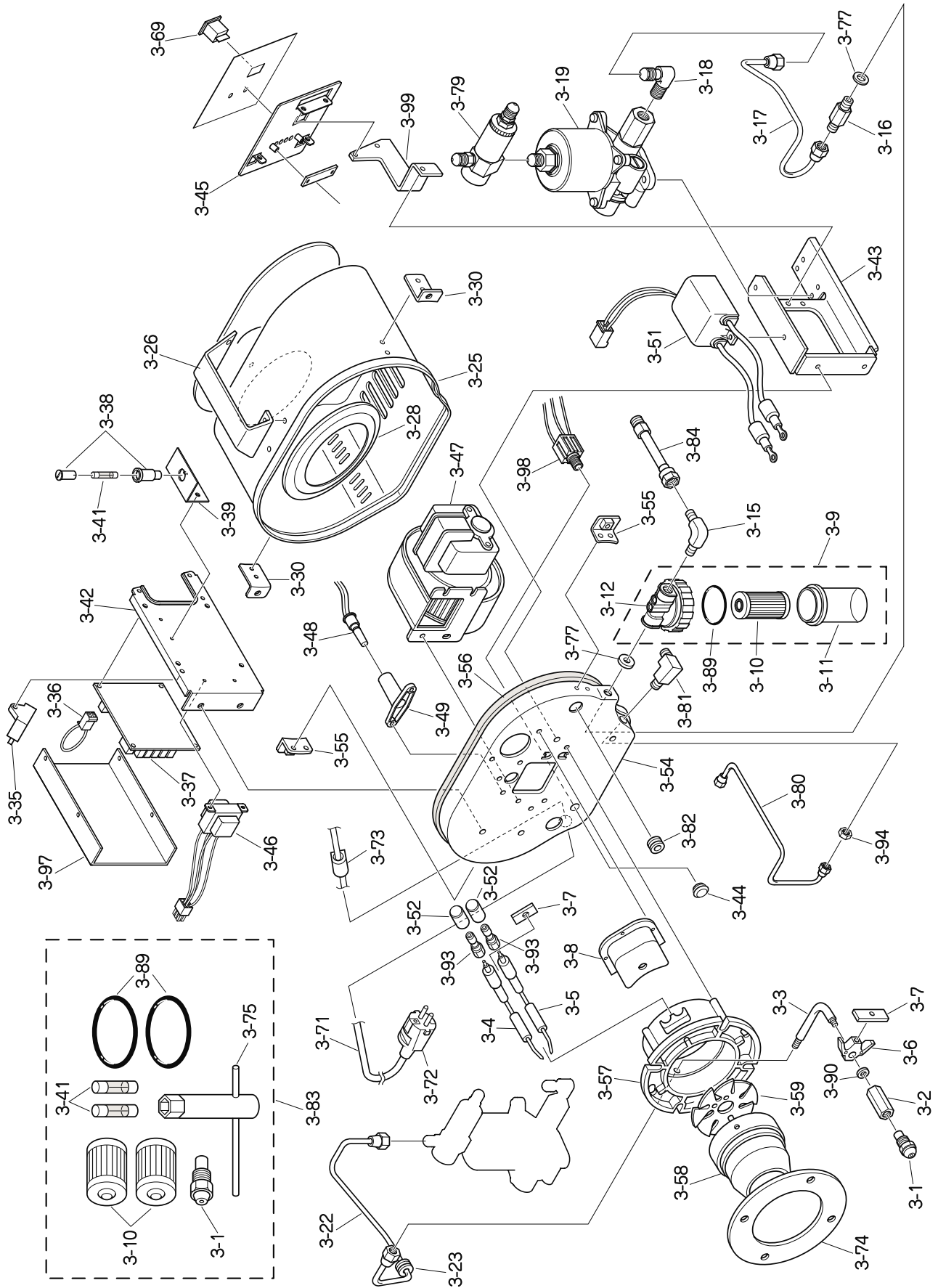
ILLUSTRATED PARTS BREAKDOWN



MODEL VAL 6 KB – FUEL TANK

ILLUSTRATED PARTS BREAKDOWN





Spareparts VAL 6-KB 2001-2002 (PACKING NO. 1: MAIN UNIT)

Pos.	Description	Code NR
1-1	RADIATION DISK	4115.473
1-2	CONICAL INSULATOR	4115.481
1-3	DRUM	4115.499
1-4	CONICAL HOUSING	4115.507
1-5	BURNER FITTING PIECE	4115.515
1-6	VISOR	4116.224
1-7	GUARD RAIL	4116.232
1-8	BURNER STAY	S/R
1-9	ANGLE ADJUSTMENT BOLT	S/R

S/R = Parts Available by Special Request Only

Spareparts VAL 6-KB 2001-2002 (PACKING NO. 2: FUEL TANK)

Pos.	Description	Code NR
2-1	FUEL TANK	4115.177
2-2	WHEEL HOLDER	4115.178
2-3	WHEEL SHAFT	4115.179
2-4	WHEEL	4115.180
2-5	FUEL GAUGE	4115.181
2-6	TANK INLET FILTER	4115.182
2-7	TANK CAP	4115.183
2-8	SUCTION PIPE	4115.184
2-9	RETURN NIPPLE	4115.185
2-10	SUCTION PACKING	4115.186
2-11	DRAIN BOLT	4115.187
2-12	DRAIN PACKING	4115.188
2-13	FRAME (R)	4115.189
2-14	FRAME (L)	4115.190
2-15	HOLDER PIPE	4115.191
2-16	REINFORCEMENT	4115.192
2-17	HANDLE STAY BRACKET (R)	4115.193
2-18	HANDLE STAY BRACKET (L)	4115.194
2-19	FIXING PIN	4115.195
2-20	FUEL HOSE	4115.196
2-21	HANDLE	4115.197

S/R = Parts Available by Special Request Only

Spareparts VAL 6-KBE 2001-2002 (PACKING NO. 3: BURNER)

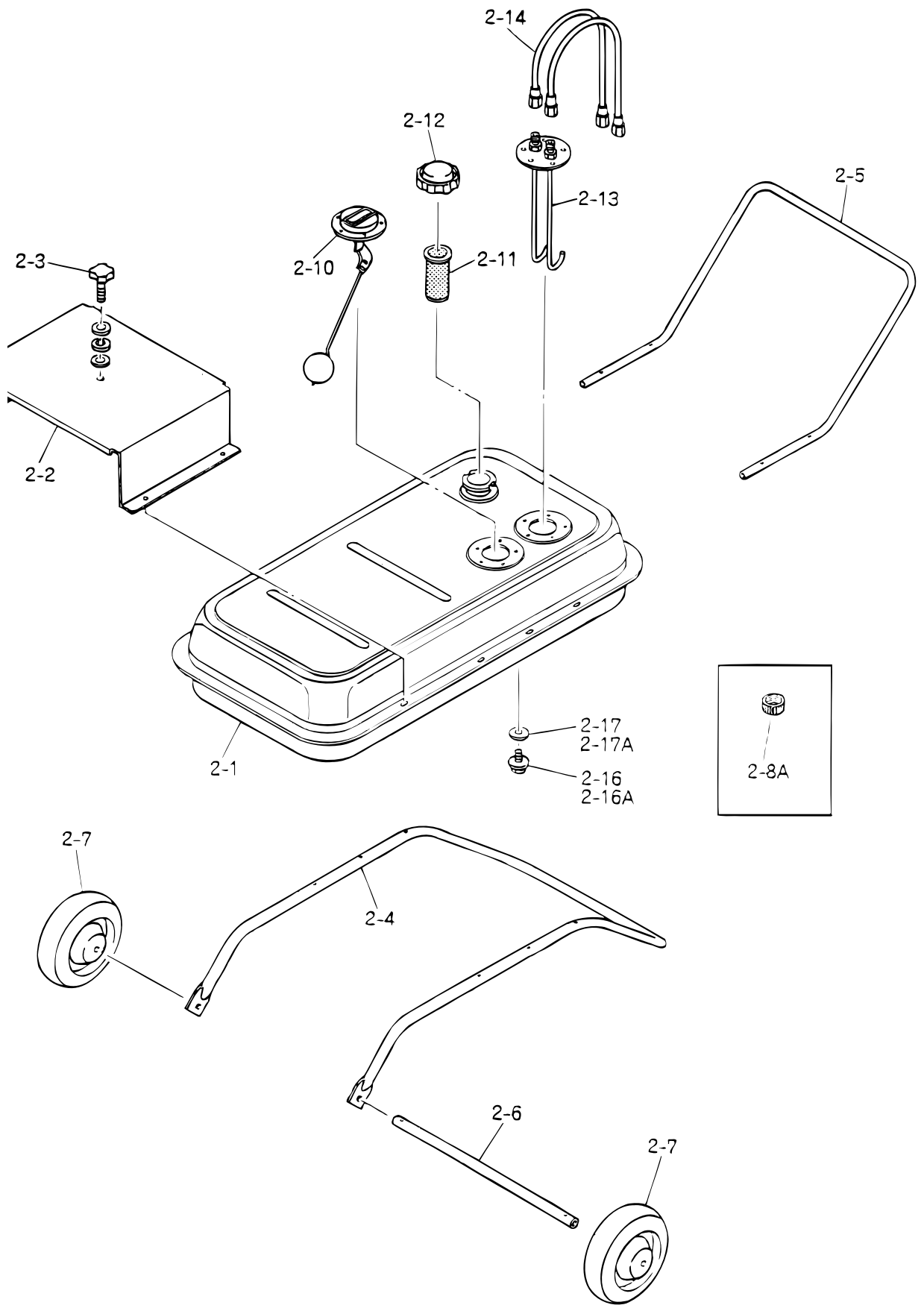
Pos.	Description	Code NR
3-1	NOZZLE	4115.614
3-2	NOZZLE HOLDER	4115.623
3-3	NOZZLE PIPE	4115.624
3-4	ELECTRODE (RH)	4115.218
3-5	ELECTRODE (LH)	4115.200
3-6	ELECTRODE STAY	4115.648
3-7	ELECTRODE FITTING PIECE	4115.609
3-8	ELECTRODE COVER	4115.663
3-9	FUEL FILTER COMPLETE	4115.226
3-10	FILTER ELEMENT	4115.234
3-11	FILTER BOWL	4115.671
3-12	FILTER BODY	S/R
3-15	ELBOW NIPPLE	4115.242
3-16	FILTER NIPPLE	4115.259
3-17	FUEL INTAKE LINE	4116.613
3-18	PUMP ELBOW	4115.267
3-19	FUEL PUMP	4116.630
3-22	FUEL OUTLET LINE	4115.309
3-23	PUMP NOZZLE GROMMIT	S/R
3-25	HOUSING	4115.739
3-26	HOUSING GRIP	4115.747
3-28	HOUSING SEAL (A)	4115.770
3-30	HOUSING FITTING PIECE (A)	4115.788
3-35	CONDENSOR	4116.001
3-36	SHORT CIRCUIT CORD	S/R
3-37	BURNER CONTROL	4116.631
3-38	FUSE HOLDER	4116.765
3-39	FUSE HOLDER BRACKET	S/R
3-41	FUSE (1.6 A)	4116.764
3-42	CONTROL CHASSIS	S/R
3-43	PUMP TRANSFORMER BRACKET	S/R
3-44	GROMMET	S/R
3-45	FACE PLATE	S/R
3-46	STEP DOWN TRANSFORMER	4116.631
3-47	FAN MOTOR	4116.632
3-48	FLAME MONITOR	4116.640
3-49	FLAME MONITOR HOLDER	4116.641
3-51	IGNITION TRANSFORMER	4116.636
3-52	INSULATING CAP	S/R
3-54	HOUSING END	S/R
3-55	HOUSING FITTING PIECE (B)	4115.789
3-56	HOUSING SEAL (B)	4115.994
3-57	BURNER BOSS	4116.000
3-58	BURNER CONE	4116.018
3-59	WHIRL VANE	4116.026
3-69	SWITCH	4116.637
3-71	POWER CABLE	S/R
3-72A	PLUG	S/R
3-73A	CABLE STOPPER	S/R
3-74	BURNER PACKING	4115.374
3-75	NOZZLE SPANNER	S/R
3-77	WASHER	S/R
3-79	AIR VENT VALVE	4116.166
3-80	RETURN LINE	4116.161
3-81	RETURN LINE NIPPLE	4116.172
3-82	RUBBER CAP	S/R
3-84	PHD NIPPLE	4115.271
3-89	O-RING	4116.141
3-90	WASHER	S/R
3-93	ELECTRODE NIPPLE	4116.380
3-94	NIPPLE FITTING NUT	4116.205
3-97	BURNER CONTROL COVER	S/R
3-98	JACK	S/R
3-99	FACE PLATE BRACKET	S/R

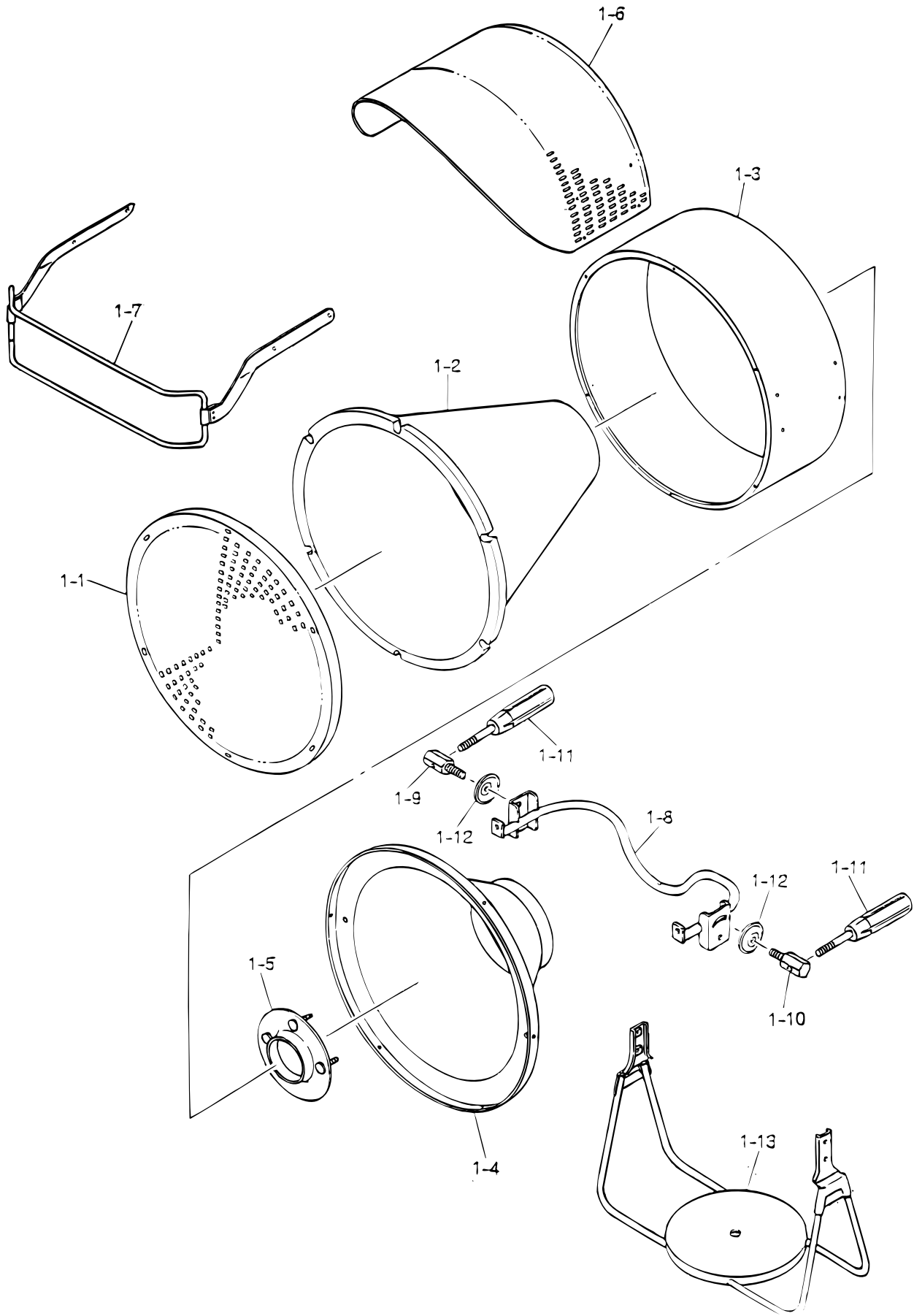
S/R = Part Available by Special Request Only

Spareparts VAL 6-2 STEP

MODEL FUEL TANK = PACKING 2

ILLUSTRATED PARTS BREAKDOWN



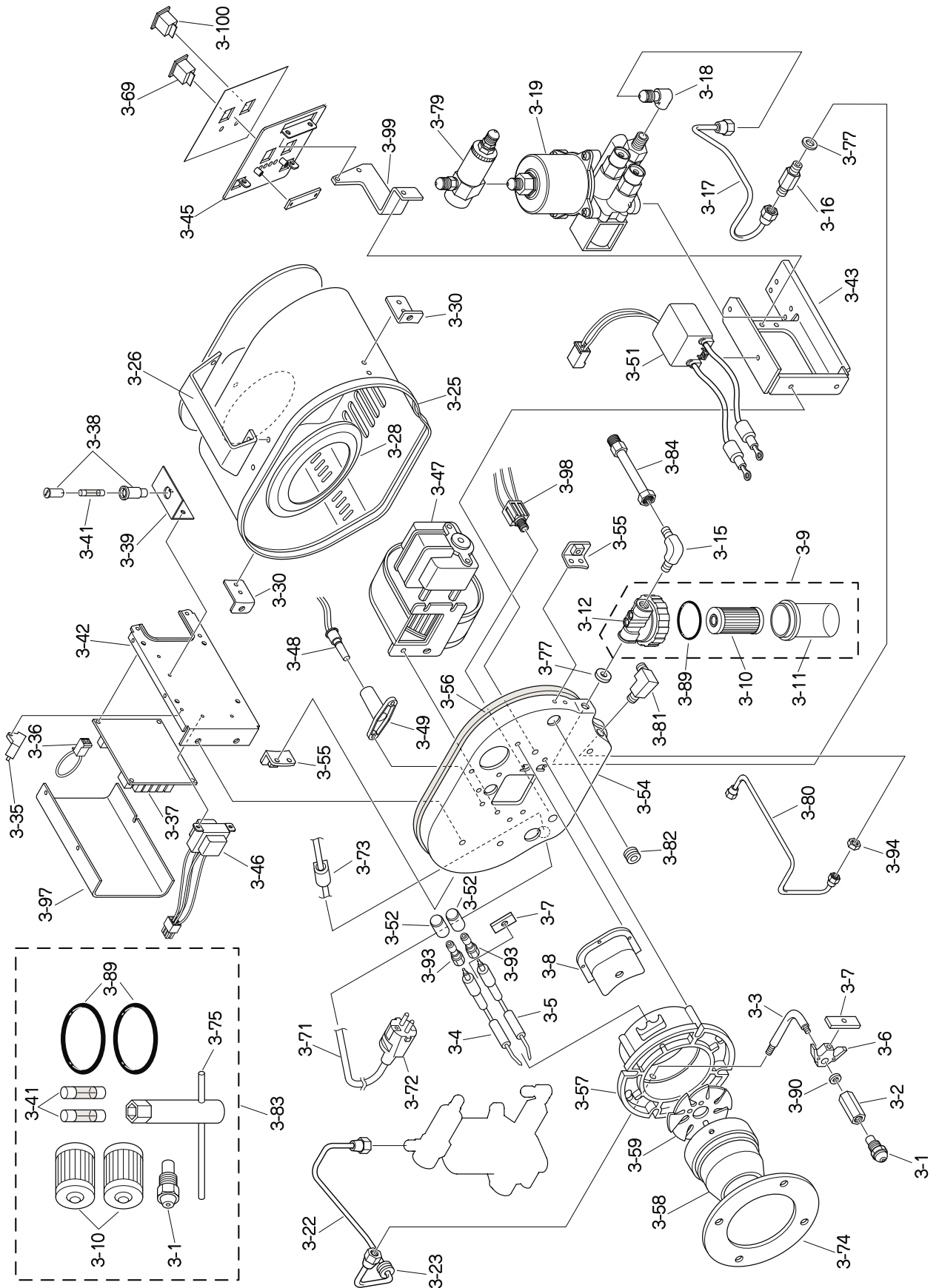


Spareparts VAL 6-2 STEP (PACKING NO. 1: MAIN UNIT)

Fabr. NR	Description	Code NR
1	MAIN UNIT=PACKING 1	4116.216
1-1	RADIATION DISK	4115.473
1-2	CONICAL INSULATOR	4115.481
1-3	DRUM	4115.499
1-4	CONICAL HOUSING	4115.507
1-5	BURNER FITTING PIECE	4115.515
1-6	VISOR	4116.224
1-7	GUARD RAIL	4116.232
1-9	CLAMP BOLT (RH)	4115.549
1-10	CLAMP BOLT (LH)	4115.556
1-11	CLAMP LEVER * Screw for guard rail	4115.564 4116.231

VAL 6-2 STEP (PACKING NO. 2: FUEL TANK)

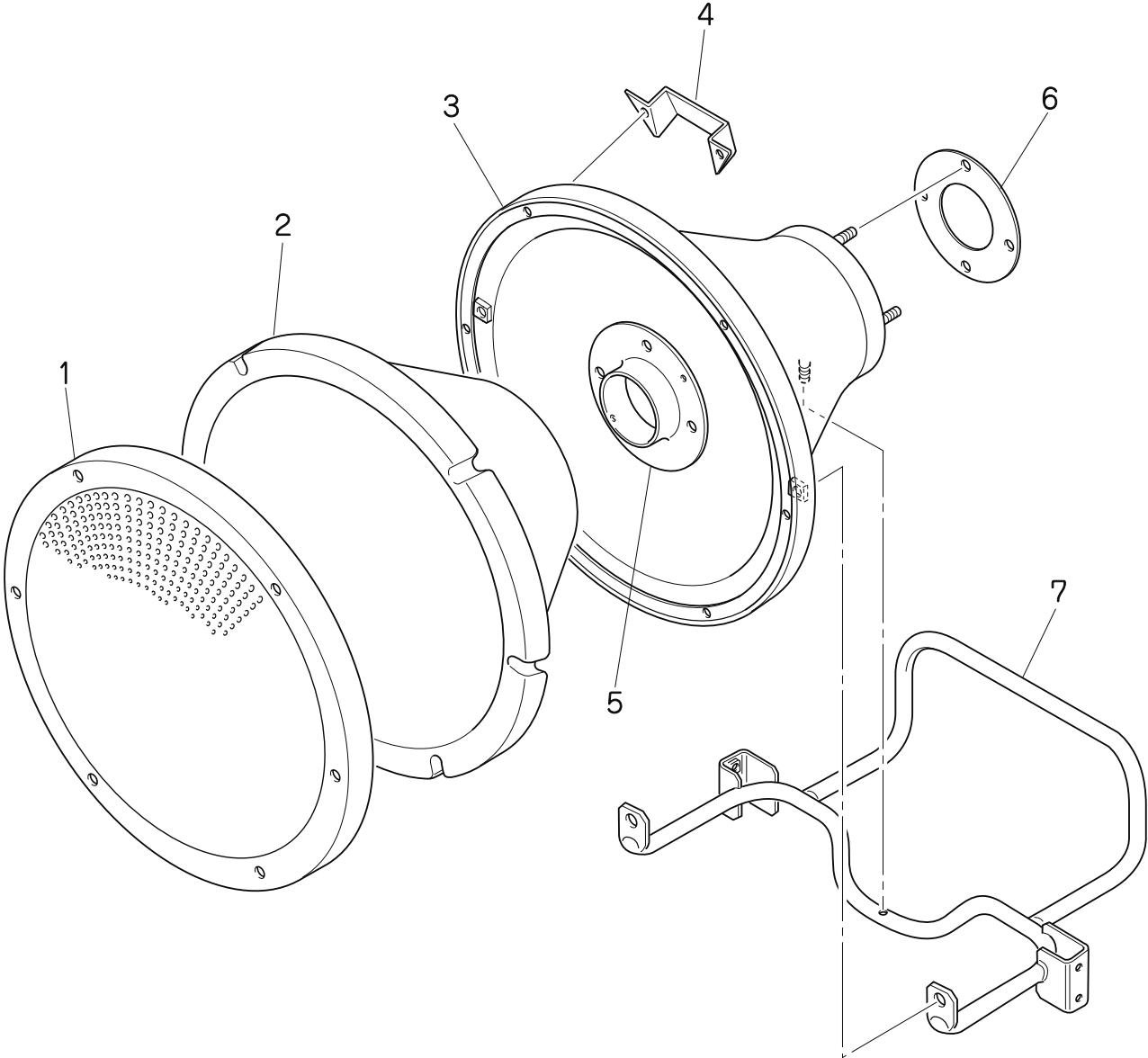
Fabr. NR	Description	Code NR
2	FUEL TANK=PACKING 2	4116.158
2-1	FUEL TANK	4115.382
2-2	SWIVEL BASE	4116.167
2-3	SWIVEL BOLT	4116.174
2-4	TANK LEG	4116.182
2-5	GRIP	4116.190
2-7	WHEEL	4115.390
2-8A	DRAIN CAP	4115.407
2-10	FUEL GAUGE KB	4115.424
2-11	TANK INLET FILTER	4115.432
2-12	FILTER CAP	4115.440
2-13	SUCTION PIPE SINGLE	4115.457
2-13A	SUCTION PIPE DOUBLE	4115.458
2-14	FUEL INTAKE LINE FLEX.	4115.465
2-16	DRAIN BOLT TILL 90/91	4115.408
2-16A	DRAIN BOLT FROM 91/92	4115.409

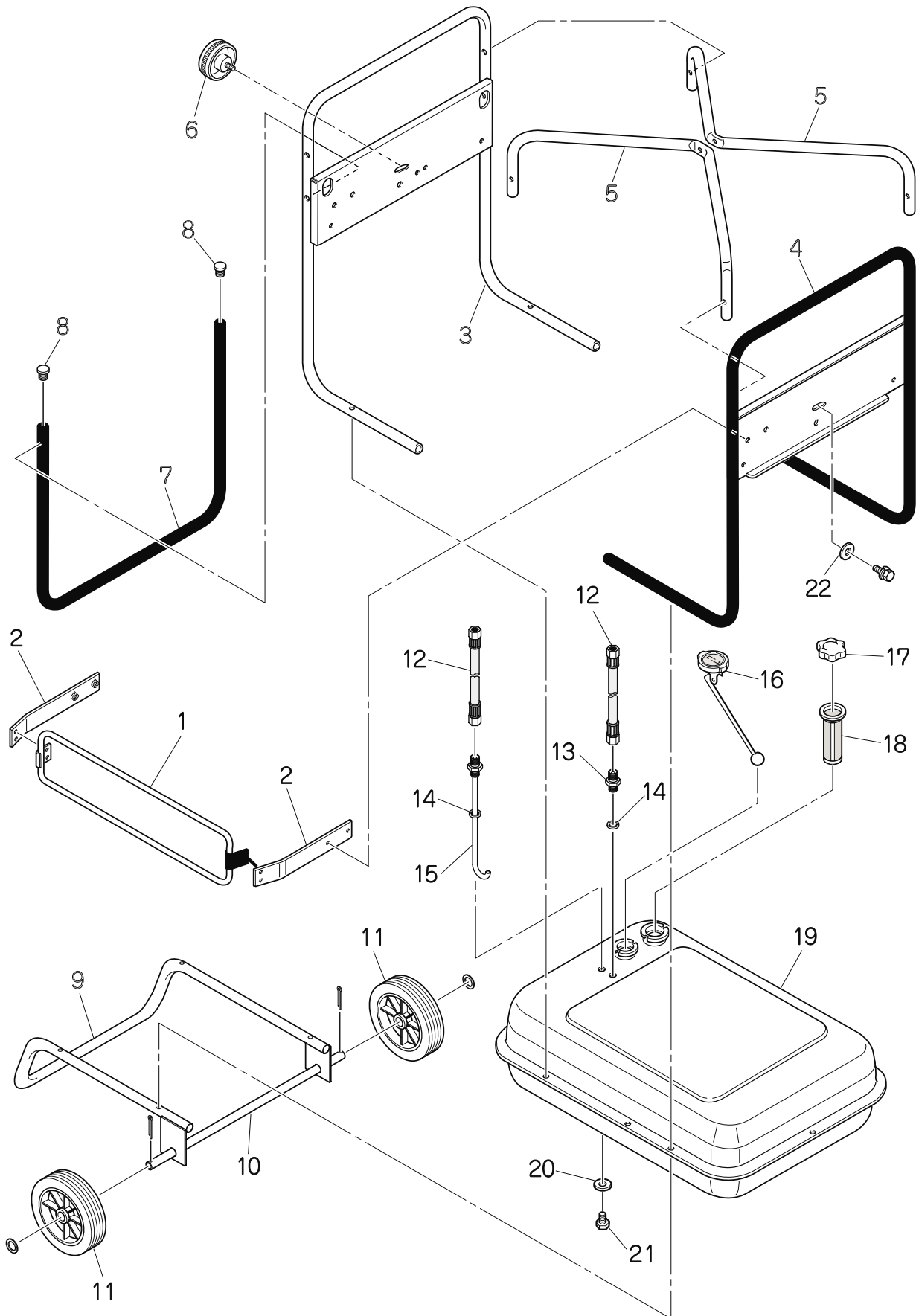


Spareparts VAL 6-2 STEP 2001-2002 (PACKING NO. 3: BURNER)

Pos.	Description	Code NR
3	BURNER (PACKING NO. 3)	4115.001
3-1	NOZZLE	4115.615
3-2	NOZZLE HOLDER	4115.623
3-3	NOZZLE PIPE	4115.624
3-4	ELECTRODE (RH)	4115.218
3-5	ELECTRODE (LH)	4115.200
3-6	ELECTRODE STAY	4115.648
3-7	ELECTRODE FITTING PIECE	4115.609
3-8	ELECTRODE COVER	4115.663
3-9	FUEL FILTER COMPLETE	4115.226
3-10	FILTER ELEMENT	4115.234
3-11	FILTER BOWL	4115.671
3-12	FILTER BODY	S/R
3-15	ELBOW NIPPLE	4115.242
3-16	FILTER NIPPLE	4115.259
3-17	FUEL INTAKE LINE	4116.613
3-18	PUMP ELBOW	4115.268
3-19	FUEL PUMP	4116.638
3-22	FUEL OUTLET LINE	4115.309
3-23	PUMP NOZZLE GROMMIT	S/R
3-25	HOUSING	4115.739
3-26	HOUSING GRIP	4115.747
3-28	HOUSING SEAL (A)	4115.770
3-30	HOUSING FITTING PIECE (A)	4115.788
3-35	CONDENSOR	S/R
3-36	SHORT CIRCUIT CORD	S/R
3-37	BURNER CONTROL	4116.631
3-38	FUSE HOLDER	4116.765
3-39	FUSE HOLDER BRACKET	S/R
3-41	FUSE (1.6 A)	4116.764
3-42	CONTROL CHASSIS	S/R
3-43	PUMP TRANSFORMER BRACKET	S/R
3-45	FACE PLATE	S/R
3-46	STEP DOWN TRANSFORMER	4116.633
3-47	FAN MOTOR	4116.612
3-48	FLAME MONITOR	4116.640
3-49	FLAME MONITOR HOLDER	4116.641
3-51	IGNITION TRANSFORMER	4116.636
3-52	INSULATING CAP	S/R
3-54	HOUSING END	S/R
3-55	HOUSING FITTING PIECE (B)	4115.789
3-56	HOUSING SEAL (B)	4115.994
3-57	BURNER BOSS	4116.000
3-58	BURNER CONE	4116.018
3-59	WHIRL VANE	4116.026
3-69	SWITCH	4116.637
3-71	POWER CABLE	S/R
3-72	PLUG	S/R
3-73	CABLE STOPPER	S/R
3-74	BURNER PACKING	4115.374
3-75	NOZZLE SPANNER	S/R
3-77	WASHER	S/R
3-79	AIR VENT VALVE	4116.166
3-80	RETURN LINE	S/R
3-81	RETURN LINE NIPPLE	4116.172
3-82	RUBBER CAP	S/R
3-84	PHD NIPPLE	4115.271
3-89	O-RING	4116.141
3-90	WASHER	S/R
3-93	ELECTRODE NIPPLE	4116.380
3-94	NIPPLE FITTING NUT	4116.205
3-97	BURNER CONTROL COVER	S/R
3-98	JACK	S/R
3-99	FACE PLATE BRACKET	S/R
3-100	SWITCH HIGH-LOW	4116.635

S/R = Part Available by Special Request Only





Spareparts VAL 6 KBE1S Small Unit (PACKING NO. 1: MAIN UNIT)

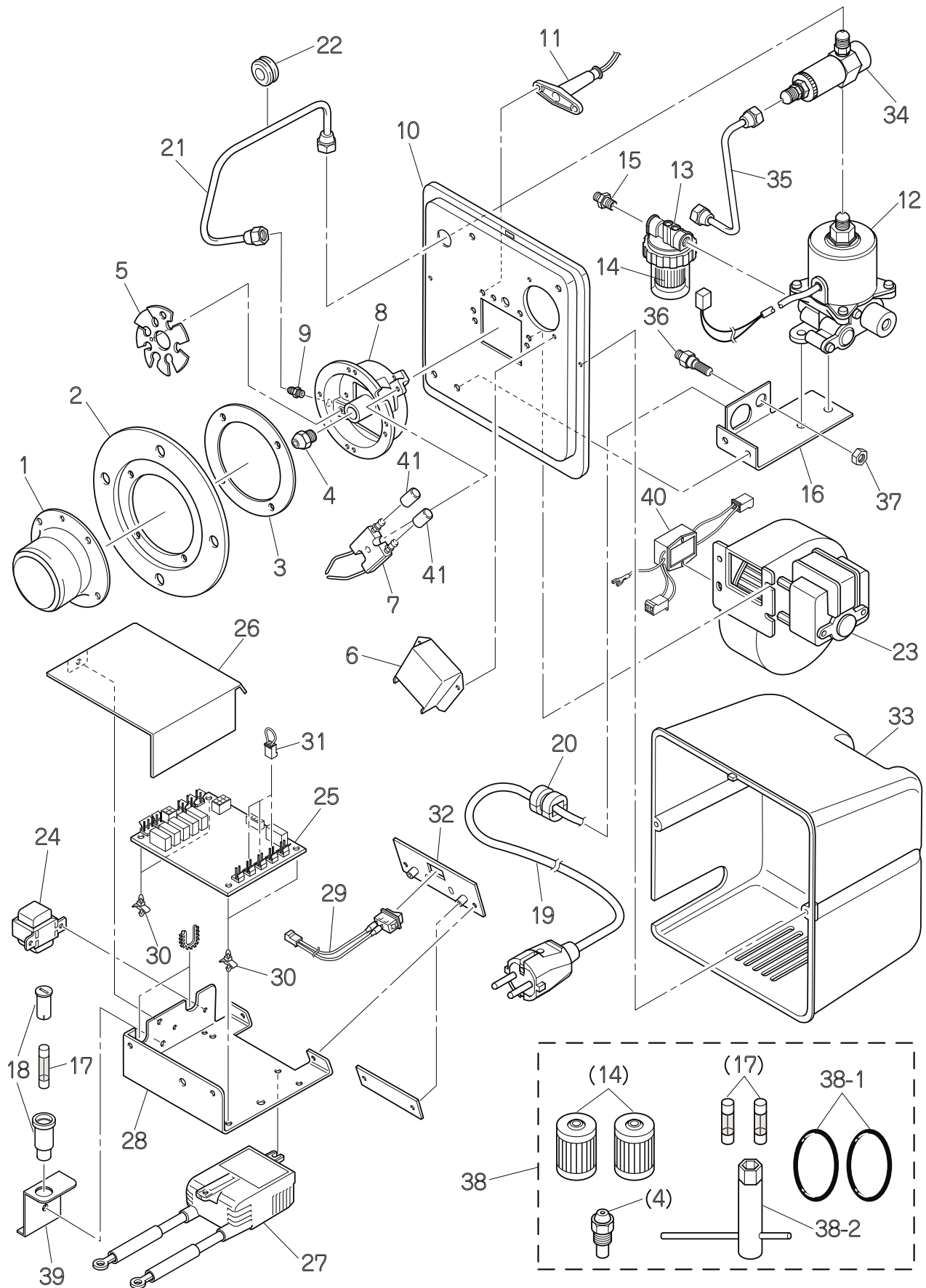
Pos.	Description	Code NR
1-1	RADIATION DISK	4115.473
1-2	CONICAL INSULATOR	4116.750
1-3	CONICAL HOUSING	4116.751
1-4	CAUTION LABEL PLATE	S/R
1-5	BURNER FITTING PIECE	4115.515
1-6	BURNER PACKING	4116.752
1-7	BURNER SUPPORT	S/R

S/R = Part Available by Special Request Only

Spareparts VAL 6 KBE1S Small Unit (PACKING NO. 2: FUEL TANK)

Pos.	Description	Code NR
2-1	PROTECTOR	4116.753
2-2	PROTECTOR BRACKETT	4116.754
2-3	FRAME (R)	S/R
2-4	FRAME (L)	S/R
2-5	FRAME CONNECTIO PIPE	S/R
2-6	KNOB BOLT	S/R
2-7	HANDLE	S/R
2-8	PIPE END CAP	S/R
2-9	TANK LEG	S/R
2-10	WHEEL SHAFT	S/R
2-11	WHEEL	4115.390
2-12	FUEL HOSE	4116.755
2-13	RETURN NIPPLE	S/R
2-14	SUCTION PACKING	S/R
2-15	SUCTION PIPE ASSEMBLY	4116.756
2-16	FUEL GAUGE	S/R
2-17	TANK CAP	4114.626
2-18	TANK INLET FILTER	4115.432
2-19	FUEL TANK	4116.757
2-20	DRAIN PACKING	S/R
2-21	DRAIN BOLT	4115.409
2-22	GASKET	S/R

S/R = Part Available by Special Request Only



Spareparts VAL 6 KBE1S Small Unit (PACKING NO. 3: BURNER)

Pos.	Description	Code NR
3-1	BURNER CONE	4116.758
2	BURNER FLANGE	S/R
3	DIFFUSER PACKING	S/R
4	NOZZLE	4116.759
5	WHIRL VANE	S/R
6	ELECTRODE COVER	S/R
7	ELECTRODE	4116.760
8	DIFFUSER	4116.761
9	NOZZLE NIPPLE	S/R
10	BURNER BASE	S/R
11	FLAME MONITOR COMPLETE	4116.762
12	FUEL PUMP	4116.763
13	FUEL FILTER COMPLETE	4115.226
14	FILTER ELEMENT	4115.234
15	FILTER NIPPLE	S/R
16	PUMP BRACKET	S/R
17	FUSE (1.6A)	4116.764
18	FUSE HOLDER	4116.765
19	POWER CABLE	S/R
20	CABLE STOPPER	S/R
21	FUEL OUTLET LINE	4116.766
22	PUMP NOZZLE GROMMET	4116.767
23	FAN MOTOR	4116.768
24	STEP DOWN TRANSFORMER	4116.631
25	BURNER CONTROL	S/R
26	BURNER CONTROL COVER	S/R
28	CONTROL CHASSIS	S/R
29	SWITCH ASSEMBLY	4116.769
30	CONTROL SUPPORT	S/R
31	SHORT CIRCUIT CORD	S/R
32	FACE PLATE	S/R
33	BURNER COVER	S/R
34	AIR VENT VALVE	4116.166
35	RETURN LINE	4116.770
36	RETURN LINE NIPPLE	S/R
37	NIPPLE FITTING NUT	S/R
(38-1)	O-RING	4116.141
(38-2)	NOZZLE SPANNER	S/R
39	FUSE HOLDER BRACKET	S/R
40	NOISE FILTER	S/R
41	INSULATING CAP	S/R

S/R = Parts Available by Special Request Only